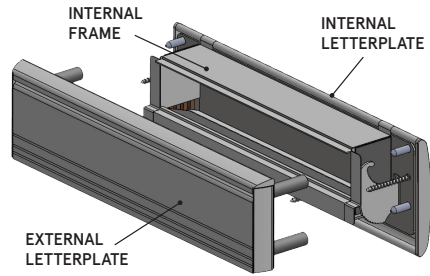


RJ007 LETTERPLATE FITTING GUIDE

FD30

certifire
(CF5688)

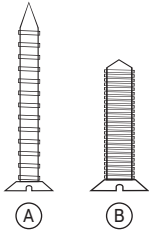


CONTENTS

- Letterplate with pre-drilled holes
- 4 x 44mm countersunk screws (A)
- 4 x 20mm M6 screws (B)
- 1 x steel rod

TOOLS REQUIRED

- Tape measure
- Pencil or marker
- Saw (power/hack)
- Jigsaw
- Drill
- Screw driver
- Knife
- Router



KM670828

Secured by Design



Official Police Security Initiative

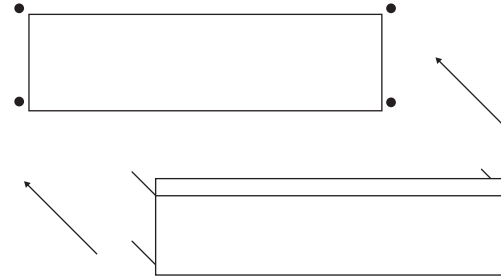
DOOR THICKNESS: 44MM.

STEP 1

Cut aperture in door according to the cut-out template (must be printed at actual size) overleaf. Slots need to be routed on the internal face only to 25mm.

STEP 2

Remove self-adhesive tape and fit the RJ007 external letterbox onto exterior door face.



STEP 3

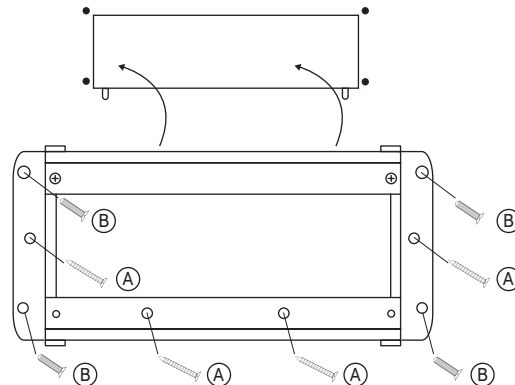
Push the internal frame into the aperture.

Push your hand through to the external side and hold both frames together.

Fix with the 4 x M6 screws (B) provided. Gradually tighten up all four sides.

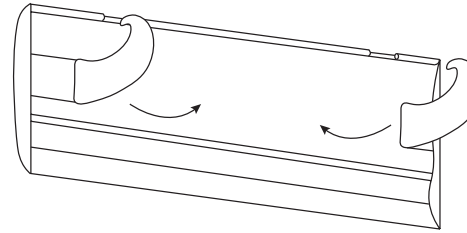
Secure the internal side with the 4 x countersunk screws (A) provided.

You can drill pilot holes if required.



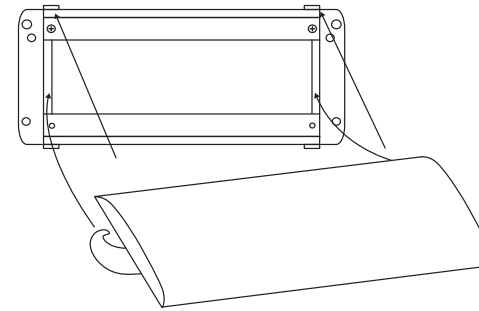
STEP 4

Click open the serrated stays.



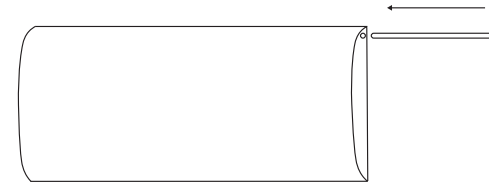
STEP 5

Feed the stays into the two slots and line up with two hinges at the top of the frame.



STEP 6

Push the steel rod through the hole on the internal side of the ap to secure it.



MAINTENANCE

To maintain this product's appearance, simply wipe over with a very mild soap solution and a soft cloth once a month or every 2 weeks in areas of high sea salt such as coastal areas and areas of high pollution.

Do not wipe over with a strong cleaning detergent or any cloths which may scratch the surface of the product.

DISCLAIMER

Recommendations as to methods, use of materials and construction details are based on the experience and knowledge of Lorient and are given in good faith as a general guide and service to designers, contractors and manufacturers.

V1

Cut-out template must be printed at 'actual size'.

