

Planet SN

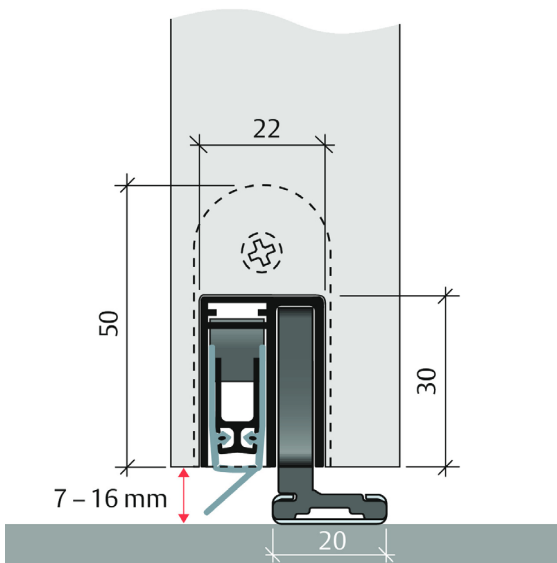
MORTISED



44dB

DROP SEALS - SLIDING DOORS

A complete sealing solution for sliding doors. Designed for smooth, zero-force release, it eliminates the need for a lock or holding device. Its compact, space-saving design ensures seamless operation, while the high-efficiency mechanism enables parallel lowering and automatic compensation for sloping floors. With optimal sealing, it achieves an acoustic insulation value of up to 44dB. Provides a seal height of 7–16mm, with adjustable lateral protrusion for a precise fit.



Planet SN

Planet SN Drop Seal



SYSTEM SPECIFICATIONS

Key benefits

- ▶ Optional: Floor guide set SN long for sliding doors running in the wall.
- ▶ Release force only 1N/m.
- ▶ Compact, space-saving solution with integrated floor guide groove.
- ▶ Automatic compensation of sloped floors.
- ▶ Seal can be easily removed by loosening the mounting brackets.
- ▶ Can be shortened to the next smaller stock length.

Characteristics

- ▶ Suitable for sliding doors.
- ▶ Sound absorption level up to 44dB (at ground air 7 mm).

Possible door types (depending on options)

- ▶ Single sliding doors. double sliding doors.

Profile size

- ▶ 22mm x 30mm.

Groove size

- ▶ 22.3mm wide x 30.5–35mm deep.

Max drop height

- ▶ 7mm–16mm.

Profile material

- ▶ Aluminium.

Seal material

- ▶ High-quality silicone.
- ▶ Bevel lip for uneven floors (Left-handed or right-handed variants).

Adjustment

- ▶ Self-levelling on uneven surfaces.
- ▶ Automatic compensation of sloped floors.
- ▶ Easy drop height adjustment.
- ▶ Door bottom can be adjusted without seal removal.

Drop height adjustment

- ▶ Using 3mm allen key.

Standard lengths

- ▶ 800mm, 925mm, 1050mm, 1175mm, 1300mm, 1425mm, 1550mm, 1675mm.
- ▶ Note: Each length can be cut back by 125mm (+ max. 45 mm release side).
- ▶ Effective seal length: ordered dimension (Y) -5 mm (suitable for sliding door width).
- ▶ Sizes up to 6m are available to special order.

Fixing

- ▶ Fixing with mounting bracket and self-tapping screws on the side.

Accessories (supplied)

- ▶ Planet floor guide set SN, short, DIN R or DIN L, for ground air 7–10 / 10–13 / 13–16mm, Planet assembly set SN, DIN R or DIN L.

Finishes

- ▶ Silver as standard.