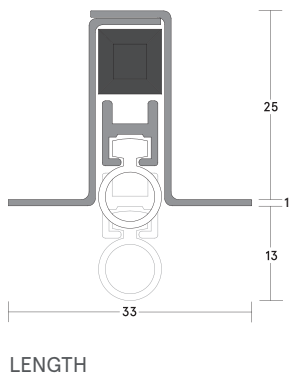


LAS8060

DROP SEAL

FITTING GUIDE



CONTENTS

- LAS8060 drop seal
- Gasket
- Bag of screws

TOOLS REQUIRED

- Tape measure
- Pencil or marker
- Saw
- Screw driver
- Router - if the bottom of the door has not been mortised for the seal.

For more information please call:

+852 2505 0328

INSTALLATION DETAIL

STEP 1

Remove the seal from the packaging and check maximum cut back sizes.

STEP 2

Remove door and machine mortise bottom of door, 25mm deep x 11mm wide.

STEP 3

Measure the width of the door.

STEP 4

Machine cut LAS8060 to door width.

STEP 5

Fit seal into groove with the actuator button on the hinged side of the door. Drill pilot holes and then screw fix into position.

STEP 6

Re-hang door, positioning striker button on door jamb where actuator button meets door jamb. Close door and observe seal movement.

STEP 7

If seal movement requires adjustment to make full contact with the floor, pull out actuator button clear of aluminium housing. Then, firmly holding threaded rod, turn adjustable block clockwise to reduce seal movement or anti-clockwise to increase seal movement.

CUT BACK SIZES

Do not cut the seal shorter than the lengths indicated below or this will affect the normal operation of the internal mechanism.

725mm cuts to 635mm

825mm cuts to 735mm

925mm cuts to 835mm

1025mm cuts to 935mm



NOTE

Recommendations as to methods, use of materials and construction details are based on the experience and knowledge of Lorient and are given in good faith as a general guide and service to designers, contractors and manufacturers.

Lorient reserves the right to make alterations or delete any installation detail without prior notice.

V1