

DROP SEALS

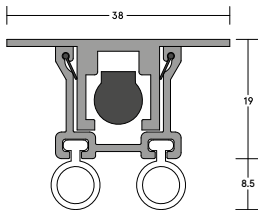
LAS8004 si

HEAVY DUTY

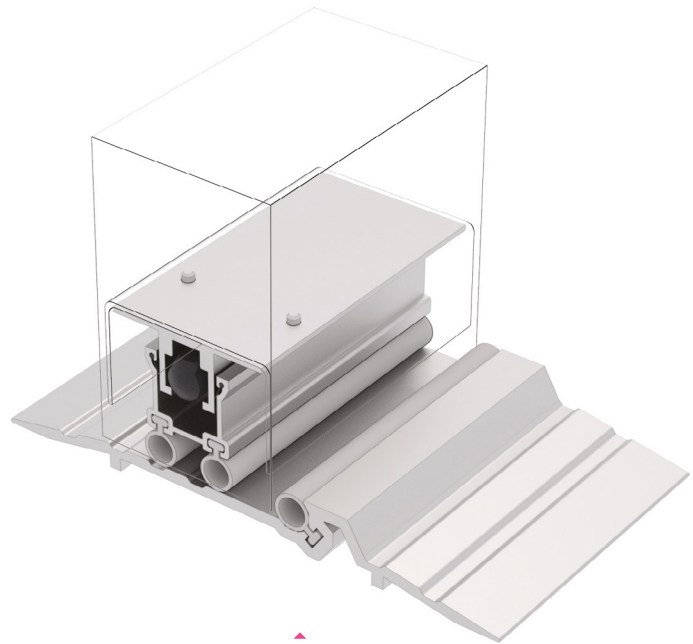
A heavy duty, mortised, automatic 'flat back' drop seal to suit installation to metal door rails. It features a high efficiency mechanism, which lifts the seal clear of the floor as soon as the door is opened by a few millimetres; resulting in lower door operating forces. Requires no power connection. Self-levelling on uneven floors; seal height can be adjusted independently of fixing screws.



DROP SEALS



LAS8004 si



LAS8004 si
(shown with LAS4014 si)

SYSTEM SPECIFICATIONS

Test evidence

- ▶ Smoke: BS 476-31.1: 1983 at ambient temperature.
- ▶ Durability: 100,000 cycles.

Performance

- ▶ Meets smoke requirement: BS 9999:2017.
- ▶ Protects against smoke, draught, light and insects.
- ▶ Suitable for use of fire rated steel doorsets.
- ▶ Suitable for wheeled traffic.

Location

- ▶ Single swing, single and double leaf doors.
- ▶ Can be used on either right or left handed doors.

Use with

- ▶ Any threshold plate.

Min/max gap size

- ▶ 1mm/13mm.

Seal material

- ▶ Grey silicone gasket.

Standard lengths

- ▶ 635mm, 735mm, 835mm, 935mm, 1035mm, 1135mm and 1235mm.
- ▶ Note: Each length can be cut back to the next size down. The 635mm can be cut back to 535mm. Other lengths to special order.

Fixing

- ▶ Fixing screws are supplied, fixing holes are pre-drilled.

Adjustment

- ▶ Self-levelling on uneven surfaces.

Finish

- ▶ Silver anodised aluminium with grey gaskets.

Certification