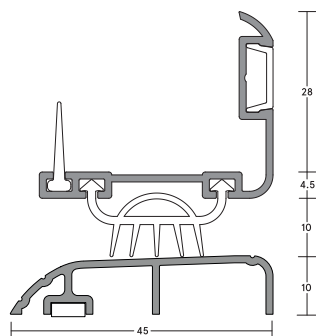


LAS3012 SI DOOR BOTTOM SEAL

FITTING GUIDE



LENGTH _____

CONTENTS

- LAS3012 si door bottom seal
- Threshold plate
- Bag of screws

TOOLS REQUIRED

- Tape measure
- Pencil or marker
- Knife
- Saw, hand or power
- Drill, hand or power
- 2.5mm drill bit
- Screwdriver

NOTE

Lorient reserves the right to make alterations or delete any installation detail without prior notice.

INWARD OPENING DOORS

NOTE

The LAS3012 si must be fitted to the inside face of the door (Fig A). This seal is designed for threshold gaps of 26mm - 30mm. If the door needs to be trimmed follow steps 1 & 2, if not, move to step 3.

STEP 1

Along the bottom of the door, mark a line 26mm up and parallel from the door sill.

STEP 2

Remove door and saw along cut line. The door will need to be sanded and painted to prevent weather ingress. Re-hang once dry.

STEP 3

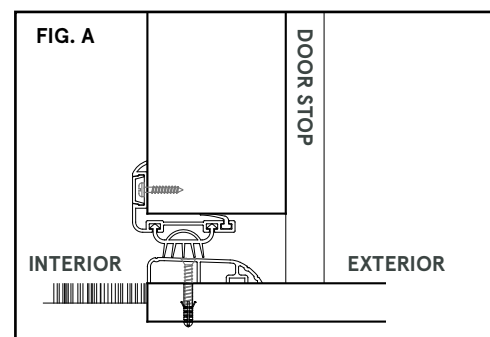
Measure the door width. Pull back silicone gaskets and using a fine-tooth hacksaw, cut aluminium carrier and cover strip to required length. Slide silicone gasket back into position and cut to required length.

STEP 4

For the threshold plate. Remove the packaging and measure the door width between jambs to determine the required plate length.

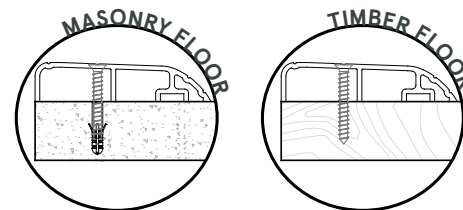
STEP 5

Measure, mark and cut the threshold plate to length.



STEP 6

Position the plate on the door sill with the curved edge towards the outside.



STEP 7

With the plate in position, mark hole centres on the floor and drill pilot holes. For masonry, use a 6mm masonry drill bit. For timber, drill a 3mm pilot hole. Affix to sill using the appropriate fixing method as shown above.

NOTE

Where threshold plate meets the door stop, sealant may be applied to prevent water ingress.

STEP 8

Position the seal to ensure the gasket makes contact with the threshold and mark out the slotted hole locations.

STEP 9

Drill pilot holes with a 2.5mm drill bit (if required). Lightly screw fix the length to the door bottom through the slotted holes with the screws supplied.

STEP 11

Close the door and check for a uniform seal, adjust the seal if required. Tighten screws and replace the decorative cover strip.

NOTE

Ensure that the installation of this product does not impede the opening or closing of the door. It is recommended to check the adjustment of the door seal periodically to ensure the door assembly to which it is fitted, closes and latches properly.



V1

INSTALLATION DETAIL

OUTWARD OPENING DOORS NOTE

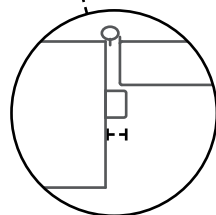
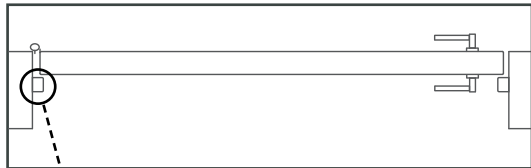
The LAS3012 si must be fitted to the inside face of the door. This seal is designed for threshold gaps of 26mm - 30mm. If the door needs to be trimmed follow steps 1 & 2, if not, move to step 3.

STEP 1

Along the bottom of the door, mark a line 16mm up and parallel from the door sill.

STEP 2

Remove door and saw along cut line. The door will need to be sanded and painted to prevent weather ingress. Re-hang once dry.



DOOR STOP DEPTH

STEP 3

Measure the width of the door to get the full seal length.

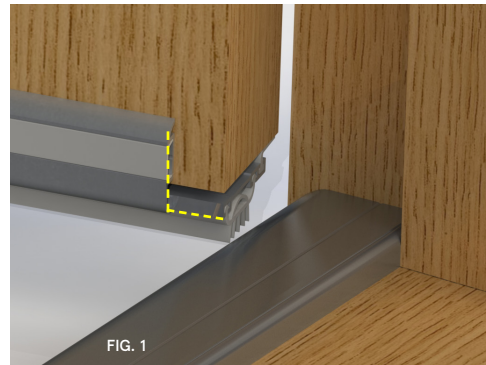
Slide back silicone gaskets and using a fine-tooth hacksaw, cut the holder and cover strip to the required length.

Slide silicone gasket back into position and trim to suit with knife.

STEP 4

Allowing for the thickness of the door stops, cut out aluminium sections from both ends of the upstand as shown in Fig. 1.

Trim cover strip to suit.



STEP 5

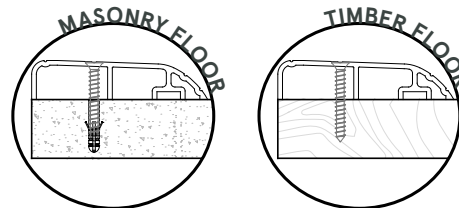
For the threshold plate. Remove the packaging and measure the door width between jambs to determine the required plate length.

STEP 6

Measure, mark and cut the threshold plate to length.

STEP 7

Position the plate on the door sill with the curved edge towards the outside.



STEP 8

With the plate in position, mark hole centres on the floor and drill pilot holes. For masonry, use a 6mm masonry drill bit. For timber, drill a 3mm pilot hole. Affix to sill using the appropriate fixing method as shown above.

NOTE

Where threshold plate meets the door stop, sealant may be applied to prevent water ingress.

STEP 9

Position the seal to ensure the gasket makes contact with the threshold and mark out the slotted hole locations.

STEP 10

Drill pilot holes with a 2.5mm drill bit (if required). Lightly screw fix the length to the door bottom through the slotted holes with the screws supplied.

STEP 11

Close the door and check for a uniform seal, adjust the seal if required. Tighten screws and replace the decorative cover strip.

NOTE

Ensure that the installation of this product does not impede the opening or closing of the door. It is recommended to check the adjustment of the door seal periodically to ensure the door assembly to which it is fitted, closes and latches properly.



ASSA ABLOY LTD T/A Lorient
Endeavour House
Fairfax Road
Heathfield Ind Estate
Newton Abbot
Devon TQ12 6UD
United Kingdom

+44 (0)1626 834252
www.lorientgroup.com

All rights reserved. No part of this fitting guide may be reproduced, stored in a retrieval system, or transmitted in any means, electronic, mechanical, photocopying, recording or otherwise without the written permission of Lorient.

© 2024 ASSA ABLOY Ltd T/A Lorient. Lorient is a registered trade mark of ASSA ABLOY LIMITED in England.