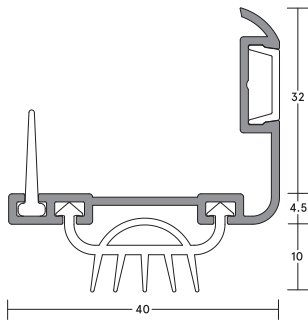


LAS3007 SI DOOR BOTTOM SEAL

FITTING GUIDE



LENGTH _____

CONTENTS

- LAS3007 si door bottom seal
- Bag of screws

TOOLS REQUIRED

- Tape measure
- Pencil or marker
- Knife
- Saw, hand or power
- Drill, hand or power
- 2.5mm drill bit
- Screwdriver

NOTE

It is not necessary to remove the door from the hinges and no painting is required after installation. This seal may be fixed to either side of the door bottom.

STEP 1

Remove the seal from the packaging and with the door closed, measure the width of the door bottom from the side of the door to which the seal is to be fixed.

NOTE

If the carrier is to be screw fixed to the stop side of the door, then the face of the aluminium carrier will have to be checked out by the width of the door stop (at each end) to ensure that it does not bind and stop the door from closing and latching.

STEP 2

Remove the decorative cover strip from the aluminium carrier.

STEP 3

Pull back silicone gasket and cut aluminium carrier to required length.

STEP 4

Cut the decorative cover strip to the length required.

STEP 5

Slide silicone gasket back into position and cut to required length.

STEP 6

Position the seal to the door bottom allowing a minimum gap of 16mm between the door bottom and the door sill. Mark out the slotted hole locations with a pencil ensuring the silicone gasket blades lightly touch the floor.

STEP 7

Drill pilot holes with a 2.5mm drill bit.

STEP 8

Lightly screw fix the length to the door bottom through the slotted holes with the screws supplied. Fixing holes are pre-slotted to enable the seal to be accurately adjusted as required.

STEP 9

Close the door and check for a uniform seal, adjust the seal if required.

STEP 10

Tighten screws and replace the decorative cover strip.

NOTE

We recommend LAS3007 si door bottom seal is used together with a LAS4010 threshold plate.

NOTE

Ensure that the installation of this product does not impede the opening or closing of the door. It is recommended to check the adjustment of the door seal periodically to ensure the door assembly to which it is fitted, closes and latches properly.



NOTE

Lorient reserves the right to make alterations or delete any installation detail without prior notice.



Gasketing materials for fire doors intended for application to wood and plastic covered composite and wood core doors rated up to 1.5 hours. Listed steel frames and/or classified steel covered composite, hollow metal doors rated up to 3 hours.