



---

## CERTIFICATE OF APPROVAL

### No CF 5688

---

This is to certify that, in accordance with  
TS00 General Requirements for Certification of Fire Protection Products  
The undermentioned products of

## ASSA ABLOY LIMITED T/A LORIENT

Portobello, School Street, Willenhall, WV13 3PW, United Kingdom

TEL 01626 834252

Have been assessed against the requirements of the Technical Schedule(s)  
denoted below and are approved for use subject to the conditions  
appended hereto:

---

#### CERTIFIED PRODUCT

Lorient RJ007 – TS008 Slimline  
Letterplate

Lorient RJ008 – TS008  
Letterplate

#### TECHNICAL SCHEDULE

TS32 - The contribution of  
letterplates and their  
accessories to fire resisting  
and smoke control doorsets  
with metallic or non-metallic  
leaves

Signed and sealed for and on behalf of Warringtonfire Testing and Certification Limited

Paul Duggan  
Certification Manager



Issued: 1<sup>st</sup> November 2018  
Revised: 1<sup>st</sup> November 2023  
Valid to: 31<sup>st</sup> October 2028





---

## CERTIFICATE No CF 5688

### ASSA ABLOY LIMITED T/A LORIENT

---

#### Lorient RJ007 & RJ008 FD30 & FD60 Letterplates

1. This certification is provided to the client for their own purposes and we cannot opine on whether it will be accepted by Building Control authorities or any other third parties for any purpose.
2. Lorient RJ007 & RJ008 letterplates comprises a range of systems with integral intumescent liner material.
3. This approval applies to the Lorient RJ007 & RJ008 Letterplates and to their use with the following door assemblies:

**Door assemblies consisting of timber faced and edged leaves with timber, cellulosic or mineral cores in timber, metal or composite frames having fire resistances of 30 & 60 minutes, depending on letterplate assembly (Code TT, ITT, ITM, ITC)\***

*\* Use in composite-based door leaves is not certificated*

4. The letterplates are approved on the basis of:
  - i) Initial type testing
  - ii) A design appraisal against TS32
  - iii) Certification of quality management system to ISO 9001
  - iv) Inspection and surveillance of factory production control.
5. The door assembly shall be a CERTIFIRE approved product or have achieved the appropriate fire resistance performance when tested at a UKAS accredited laboratory in accordance with BS 476: Part 22: 1987. Note: approval of the letterplates is based on testing only to BS 476: Part 22: 1987.
6. The letterplates may only be fitted in the manner described in this certificate and subject to any limitations on the inclusion of letterplates specified for the door leaf.
7. Letterplates shall only be fitted using the fixings supplied by the manufacturer.
8. The doorset shall be installed in accordance with BS 8214.
9. The approval relates to on-going production. Product and/or its immediate packaging is identified with the manufacturer's name, the product name or number, the CERTIFIRE name or name and mark, together with the CERTIFIRE certificate number and application where appropriate.



## CERTIFICATE No CF 5688 ASSA ABLOY LIMITED T/A LORIENT

### Lorient RJ007 & RJ008 FD30 & FD60 Letterplates

10. The following table shows acceptable doorsets types and fire resistance periods:

| Integrity rating | Approved Door Leaf Construction          |                                  |                         |
|------------------|--|----------------------------------|-------------------------|
|                  | Timber-based leaf<br>(TT, ITT, ITM, ITC) | Metallic-based leaf<br>(MM, IMM) | Composite-based<br>leaf |
| FD30             | ✓  | ✗                                | ✗                       |
| FD60             | ✓  | ✗                                | ✗                       |
| FD90             | ✗  | ✗                                | ✗                       |
| FD120            | ✗  | ✗                                | ✗                       |
| FD240            | ✗  | ✗                                | ✗                       |
| E30              | ✗  | ✗                                | ✗                       |
| E60              | ✗  | ✗                                | ✗                       |
| E90              | ✗  | ✗                                | ✗                       |
| E120             | ✗  | ✗                                | ✗                       |
| E240             | ✗  | ✗                                | ✗                       |
| EI30             | ✗  | ✗                                | ✗                       |
| EI60             | ✗  | ✗                                | ✗                       |
| EI90             | ✗  | ✗                                | ✗                       |
| EI120            | ✗  | ✗                                | ✗                       |
| EI240            | ✗  | ✗                                | ✗                       |

**Key:**

✓ - approved

✗ - not approved

See CERTIFIRE Technical Schedules for designation of doorset types i.e. IMM etc.



---

## CERTIFICATE No CF 5688

### ASSA ABLOY LIMITED T/A LORIENT

---

Lorient RJ008 FD30 & FD60 Letterplates

**RJ008 Scope of Approval:**

- The Lorient RJ008 letterplate is a complete system using aluminium or steel flaps and outer casing with an inner body consisting of an aluminium profile. Intumescent is applied to the outer body of the letterplate as well as the internal sleeve.
- The letterplate system shall be fitted at a minimum of 290 mm and maximum of 1340 mm from the base of the door leaf to the middle of the aperture.
- The letterplate system may be fitted to cope with fire attack from either face.
- The letterplate is approved for use with timber doorsets comprising a solid cellulosic core only.
- Full Details of the RJ008 letterplate specification are contained on file and can be obtained from Assa Abloy Limited t/a Lorient.

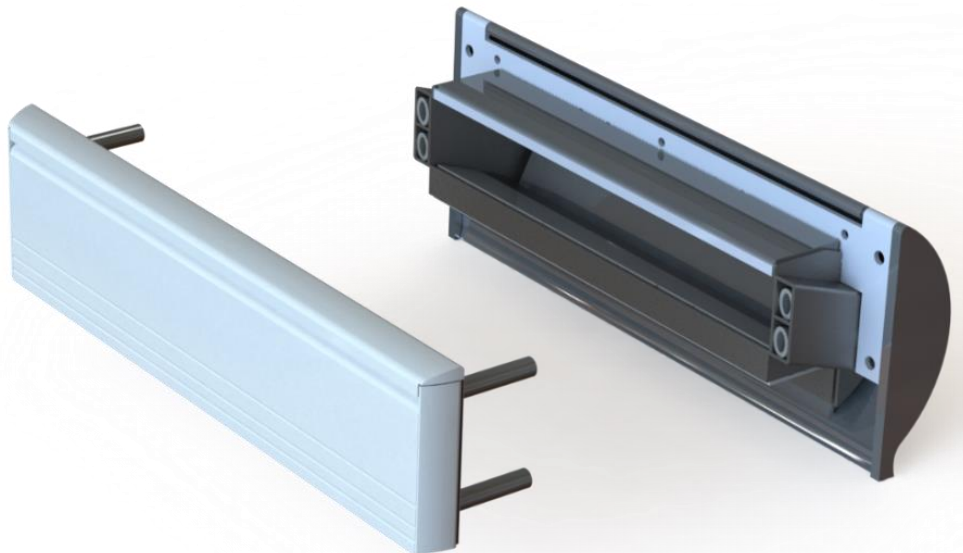
Page 4 of 10 Signed  
E/108

Issued: 1<sup>st</sup> November 2018  
Revised: 1<sup>st</sup> November 2023  
Valid to: 31<sup>st</sup> October 2028

## CERTIFICATE No CF 5688 ASSA ABLOY LIMITED T/A LORIENT

### Specification of 30 minute RJ008 Letter Plate:

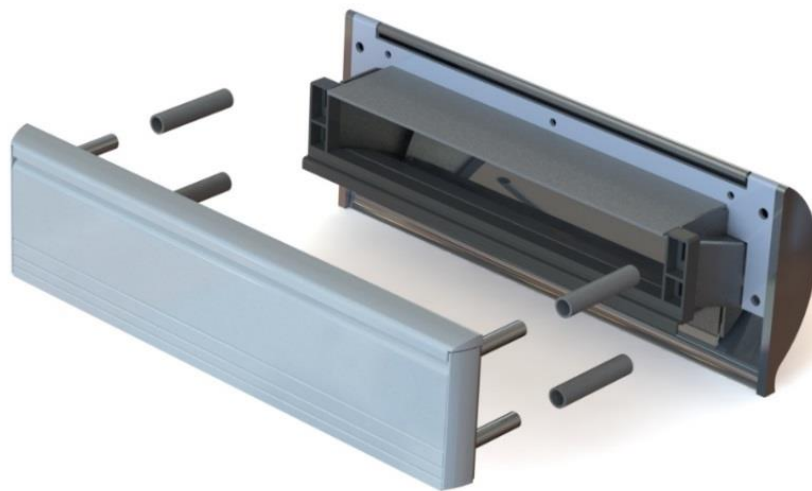
|                                   |  |
|-----------------------------------|--|
| Reference                         | RJ008 – FD30   |
| Material                          |  |
| Body                              | Aluminium  |
| Face plate                        | Steel*   |
| Security cowl                     | Aluminium  |
| Overall size                      |  |
| Body size                         | 52mm high x 259mm wide x 37mm thick  |
| Cut out size                      | 53mm high x 259mm wide   |
| Footprint                         | 115mm high x 305mm wide x 95mm thick   |
| Security cowl                     | 115mm high x 301mm wide x 35mm projection  |
| Location                          | Letterplate  |
| Fixing method                     | Screw & bolt*  |
| Details of intumescent protection | 4 No. 10.5mm Intumescent tube.<br>1 No. 35 x 4mm Intumescent strip.<br>2 No. 25 x 3mm PVC encased Intumescent strip. |



## CERTIFICATE No CF 5688 ASSA ABLOY LIMITED T/A LORIENT

### Specification of 60 minute RJ008 Letter Plate:

|                                   |  |
|-----------------------------------|--|
| Reference                         | RJ008 – FD60   |
| Material                          |  |
| Body                              | Aluminium  |
| Face plate                        | Steel*   |
| Security cowl                     | Aluminium  |
| Overall size                      |  |
| Body size                         | 52mm high x 259mm wide x 37mm thick  |
| Cut out size                      | 55mm high x 259mm wide   |
| Footprint                         | 115mm high x 305mm wide x 107mm thick  |
| Security cowl                     | 115mm high x 301mm wide x 35mm projection  |
| Location                          | Letterplate  |
| Fixing method                     | Screw & bolt*  |
| Details of intumescent protection | 8 No. 10.5mm Intumescent tube.<br>1 No. 35 x 4mm Intumescent strip.<br>1 No. 50 x 2mm Intumescent strip.<br>1 No. 10 x 2mm Intumescent strip.<br>2 No. 25 x 3mm PVC encased Intumescent strip. |





---

## CERTIFICATE No CF 5688

### ASSA ABLOY LIMITED T/A LORIENT

---

**RJ007 Scope of Approval:**

- The Lorient RJ007 letterplate is a complete system using steel face plates and steel or aluminium security cowl and outer casing with an inner body consisting of an aluminium profile. Intumescent is applied to the outer body of the letterplate as well as the internal sleeve.
- The letterplate system shall be fitted at a minimum of 200 mm and maximum of 1340 mm from the base of the door leaf to the middle of the aperture.
- The letterplate system may be fitted to cope with fire attack from either face.
- The letterplate is approved for use with timber doorsets comprising a solid cellulosic core only.
- Full Details of the RJ007 letterplate specification are contained on file and can be obtained from Assa Abloy Limited t/a Lorient.

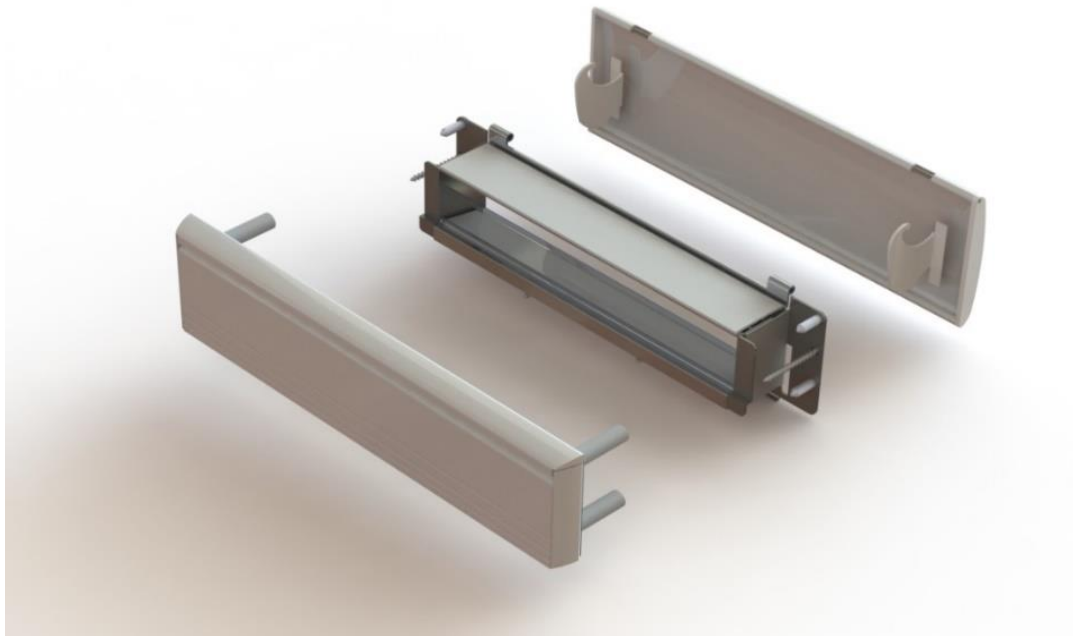
Page 7 of 10 Signed  
E/108

Issued: 1<sup>st</sup> November 2018  
Revised: 1<sup>st</sup> November 2023  
Valid to: 31<sup>st</sup> October 2028

## CERTIFICATE No CF 5688 ASSA ABLOY LIMITED T/A LORIENT

### Specification of 30 minute RJ007 Slimline Letter Plate:

|                                   |   |
|-----------------------------------|---|
| Reference                         | RJ007 – FD30  |
| Material                          |   |
| Body                              | Aluminium   |
| Face plate                        | Steel*  |
| Security cowl                     | Aluminium   |
| Overall size                      |   |
| Body size                         | 52mm high x 237mm wide x 40mm thick   |
| Cut out size                      | 58mm high x 259mm wide  |
| Footprint                         | 98mm high x 305mm wide x 76mm thick   |
| Security cowl                     | 98mm high x 298mm wide x 7.5mm thick x 14mm projection  |
| Location                          | Letterplate   |
| Fixing method                     | Screw & bolt*   |
| Details of intumescent protection | 4 No. 10.5mm Intumescent tube.<br>2 No. 38 x 2mm Intumescent strip.<br>2 No. 35 x 1mm Intumescent strip.<br>2 No. 25 x 3mm PVC encased Intumescent strip. |

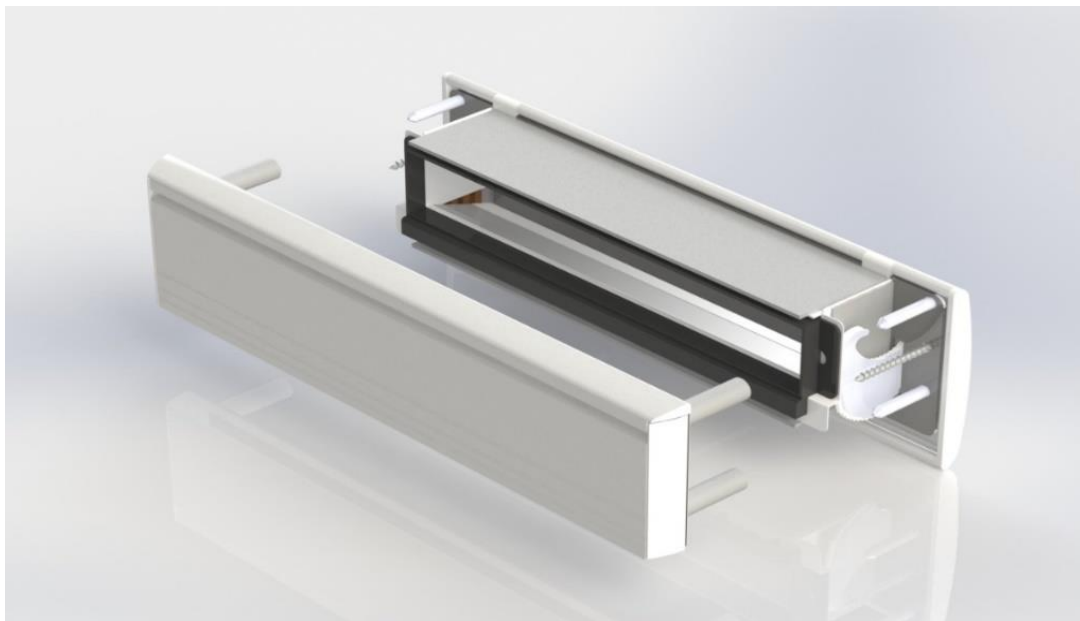




## CERTIFICATE No CF 5688 ASSA ABLOY LIMITED T/A LORIENT

### Specification of 60 minute RJ007 Slimline Letter Plate:

|                                   |   |
|-----------------------------------|---|
| Reference                         | RJ007 – FD60  |
| Material                          |   |
| Body                              | Aluminium   |
| Face plate                        | Steel*  |
| Security cowl                     | Aluminium   |
| Overall size                      |   |
| Body size                         | 52mm high x 237mm wide x 40mm thick plus 10mm thick extension piece   |
| Cut out size                      | 58mm high x 259mm wide  |
| Footprint                         | 98mm high x 305mm wide x 76mm thick   |
| Security cowl                     | 98mm high x 298mm wide x 7.5mm thick x 14mm projection  |
| Location                          | Letterplate   |
| Fixing method                     | Screw & bolt*   |
| Details of intumescent protection | 4 No. 10.5mm Intumescent tube.<br>2 No. 50 x 2mm Intumescent strip.<br>4 No. 35 x 1mm Intumescent strip.<br>2 No. 25 x 3mm PVC encased Intumescent strip. |





---

**CERTIFICATE No CF 5688**  
**ASSA ABLOY LIMITED T/A LORIENT**

---

**Further Information**

Further information regarding the details contained in this data sheet may be obtained from Assa Abloy T/A Lorient (Tel: 01626 834252).

Further information regarding CERTIFIRE certification and other approved products can be obtained from CERTIFIRE (Tel: 01925 646777).

Page 10 of 10 Signed  
E/108

Issued: 1<sup>st</sup> November 2018  
Revised: 1<sup>st</sup> November 2023  
Valid to: 31<sup>st</sup> October 2028