



CERTIFICATE OF APPROVAL

No CF 327

This is to certify that, in accordance with
TS00 General Requirements for Certification of Fire Protection Products
The undermentioned products of

ASSA ABLOY LIMITED T/A LORIENT

Portobello works, School Street, Willenhall, WV13 3PW, United Kingdom

Tel: 01626 834252 Fax: 01626 833166

Have been assessed against the requirements of the Technical Schedule(s)
denoted below and are approved for use subject to the conditions
appended hereto:

CERTIFIED PRODUCT

Lorient Polyproducts Flexible
Figure 1 Glazing System

TECHNICAL SCHEDULE

TS25 Fire Resistant Glass,
Glazing Systems and Materials

Signed and sealed for and on behalf of Warringtonfire Testing and Certification Limited

Paul Duggan
Certification Manager



Issued: 17th December 2003
Revised: 2nd March 2023
Valid to: 10th December 2025





CERTIFICATE No CF 327

ASSA ABLOY LIMITED T/A LORIENT

LORIENT POLYPRODUCTS FLEXIBLE FIGURE 1 GLAZING SYSTEM

This Certificate of Approval relates to the contribution to fire resistance of the Lorient Flexible Figure 1 Glazing System when used in timber door leaves, for periods of 30 minutes integrity, as defined in BS 476: Part 22: 1987 subject to the undermentioned conditions.

This certification is provided to the client for their own purposes and we cannot opine on whether it will be accepted by Building Control authorities or any other third parties for any purpose.

This product is approved on the basis of:

- a) Initial type testing
- b) A design appraisal against TS25
- c) Certification of quality management system to BS EN ISO 9001: 2000
- d) Inspection and surveillance of factory production control
- e) Audit Testing in accordance with TS25

This Certificate of Approval must be read in conjunction with CERTIFIRE Technical Schedule TS25, Fire Resistant Glass, Glazing Systems and materials.

Lorient Polyproducts Flexible Figure 1 Glazing System

Lorient Polyproducts Flexible Figure 1 Glazing System consists of the following essential elements:

- a) A graphite based glazing seal.
- b) Hardwood or softwood* retaining beads of a specific design and min. density 550 kg/m³
- c) Pin or screw fixings, via the retaining beads
- d) A secondary Palusol based intumescent material or a 6 mm thick hardwood liner or integral bead/liner, used as a lining around the perimeter of flaxboard substrates.

The system is used at the perimeter of a pane of fire resisting glass to provide an effective seal between the glass and substrate within a door leaf.

* MDF beads with a minimum density of 750 kg/m³ may be utilised with Pyroguard C/W glass.

Signed
E/108

Page 2 of 4

Issued: 17th December 2003
Revised: 2nd March 2023
Valid to: 10th December 2025

CERTIFICATE No CF 327 ASSA ABLOY LIMITED T/A LORIENT

LORIENT FLEXIBLE FIGURE 1 GLAZING SYSTEM

The figure below shows the relevant dimensions of the Flexible Figure 1 Glazing System and basic glazing details:

Figure 1 opposite shows a typical arrangement of Lorient Flexible Figure 1 Glazing System in a timber door leaf. The system may be used with either 40 mm long pins or screws at maximum 150 mm fixing centres.

Lorient Flexible Figure 1 can be manufactured with or without the 7.5 mm decorative top cap as detailed below in Figure 2.

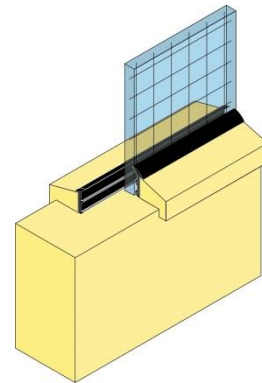


Figure 1.

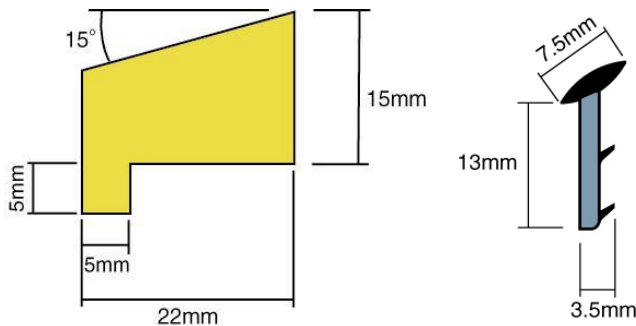


Figure 2.

Figure 2 shows the required glazing bead Lorient Flexible Figure 1 Glazing System. The bead may be either hardwood or softwood* and minimum density 550 kg/m³.

* MDF beads with a minimum density of 750 kg/m³ may be utilised with Pyroguard C/W glass

Figure 3 includes details relating to the use of the Flexible Figure 1 glazing system within Flaxboard cored door leaves where a hardwood liner (integral or separate) or a LX4402 intumescent liner shall be used to line the aperture.

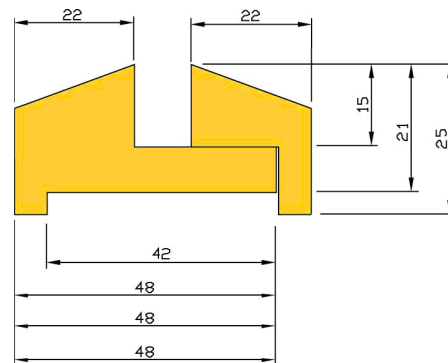
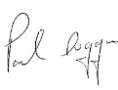


Figure 3.

Signed 
E/108

CERTIFICATE No CF 327 ASSA ABLOY LIMITED T/A LORIENT

LORIENT FLEXIBLE FIGURE 1 GLAZING SYSTEM

This Certificate of Approval relates to the following glasses when used in conjunction with a Flexible Figure 1 Glazing System at the maximum sizes shown in Table 1 below:

Glass	Maximum Pane Height (mm)	Maximum Pane Width (mm)	Maximum Pane Area (m ²)
Pyroshield Safety®	875	750	0.66
Pyroguard C / W® *	1236	750	0.71
Pyran S®	875	750	0.66
Pyrotech 630	1750 (at 450 width)	560 (at 1400 height)	0.78
Pyrostem®	875	750	0.66
Pyrobelite®	875	750	0.66
Pyrodur Plus™	875	750	0.66
Firelite®	875	750	0.66

Table 2 - Acceptable Glass Dimensions

* May be used with MDF beads

This Certificate of Approval relates to timber based door leaf constructions consisting of timber faces coupled with timber or other cellulosic cores of not less than 40 mm overall leaf thickness.


A secondary Palusol based intumescent material is required to be used as a lining around the perimeter of apertures cut within flaxboard substrates.

The Flexible Figure 1 Glazing System may be fitted in the manner described in this Certificate of Approval, to previously tested door leaves provided that the particular aspects of the door assembly are maintained. These are described below but are not exhaustive:

1. The doorset, including door frame and associated building hardware, should have achieved at least 30 minutes integrity when tested or subsequently assessed by one of the laboratories approved by CERTIFIRE as acceptable for this purpose to BS 476: Part 22: 1987.
2. If the proposed doorset is to be used in double-leaf configuration, the test or assessment evidence should be applicable to double-leaf configurations.
3. Likewise, if the proposed doorset is to be used in the unlatched configuration the available evidence should be applicable to unlatched doorsets.
4. The proposed doorset should also have included a glazed aperture or apertures of the intended size, shape, area and number.
5. When used to glaze CERTIFIRE approved doorsets which have smaller apertures than allowed in this certificate, the aperture sizes specified in the doorset certificate shall take precedence.

In this way the proposed installation of the Lorient Polyproducts Flexible Figure 1 Glazing System is not expected to affect the fire resistance performance of the leaf.

Signed
E/108



Page 4 of 4

Issued: 17th December 2003
Revised: 2nd March 2023
Valid to: 10th December 2025