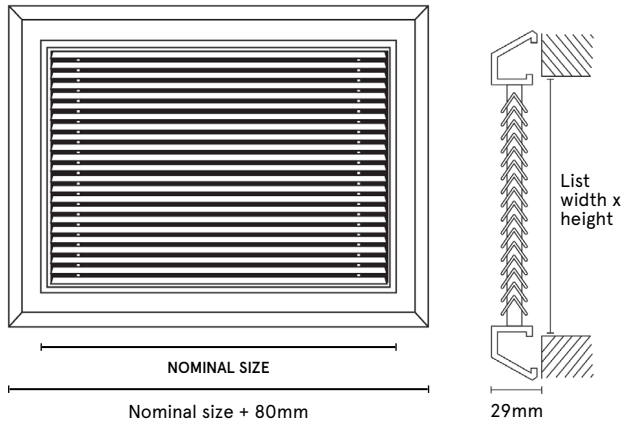


ALUMINIUM COVER GRILLES (NV6)

FIRE + SMOKE RESISTANT AIR TRANSFER GRILLES

Lorient Vision proof flanged grille suitable for surface mounting onto doors, wall or partitions. Especially useful for narrow doors or fireblock installations. The aluminium 'V' shape chevron blade mounted on a close 8mm pitch renders see through vision impossible.



Aluminium cover grille

AIR TRANSFER GRILLE / COVER GRILLE SELECTOR (MM)

ATG NOMINAL SIZE	200 x 200	300 x 300	400 x 400
ATG ACTUAL SIZE	198 x 198	298 x 298	398 x 398
MAX APERTURE SIZE	205 x 205	305 x 305	405 x 405
	210 x 210	310 x 310	410 x 410
	Doors + 5mm Walls +10mm	Doors + 5mm Walls +10mm	Doors + 5mm Walls +10mm
COVER GRILLE OVERALL SIZE	280 x 280 (+80mm of actual size)	380 x 380 (+80mm of actual size)	480 x 480 (+80mm of actual size)

FIRE & SMOKE AIR TRANSFER GRILLE / COVER GRILLE SELECTOR (MM)

ATG NOMINAL SIZE	200 x 200	300 x 300	400 x 400
ATG ACTUAL SIZE	240 x 240	340 x 340	440 x 440
MAX APERTURE SIZE	245 x 245	345 x 345	445 x 445
	250 x 250	350 x 350	450 x 450
	Doors + 5mm Walls +10mm	Doors + 5mm Walls +10mm	Doors + 5mm Walls +10mm
COVER GRILLE OVERALL SIZE	400 x 400 (+160mm of actual size)	500 x 500 (+160mm of actual size)	600 x 600 (+160mm of actual size)

SYSTEM SPECIFICATIONS

Construction

- ▶ Manufactured from extruded aluminium. Vanes are horizontal and allow bi-directional airflow.

Size

- ▶ Cover Grilles can be supplied in a wide range of sizes to suit the intumescent dampers. Sizes from 100 x 100mm up to 1200 x 1200mm in either configuration offer great flexibility when selecting grille sizes.
- ▶ Each cover grille is manufactured to the nominal aperture size + 80mm.
- ▶ Square and rectangle options available.

Material

- ▶ Aluminium.

Free area

- ▶ Approx. 45%.
- ▶ Note: Will change the free air flow characteristics of the air transfer grille.

Application

- ▶ Suitable for walls, doors or partitions.
- ▶ Weather louvre options available for external applications.
- ▶ Note: Not recommended for external wall applications or high levels of moisture. Please refer to weather louvres which can be supplied as alternatives.

Fixing

- ▶ Flange screw fixing using self tapping screws provided.

Finish

- ▶ Standard powder coat finishes are white and silver.
- ▶ The satin silver finish changed to RAL 9006 (05/1/23).
- ▶ Other colours to suit customer requirements are available. (Non-standard - charges and lead times apply).

Use with

- ▶ LVV40, LVH44, LVV40S, LVH44 + LVH20S.