

 **LORIENT**

ASSA ABLOY

PLANET

DROP SEALS

PLANET
DROP
SEALS

 **Planet**
ASSA ABLOY



ICONS EXPLAINED

Possible Door Types (depending on options)



Swing door -
installation below



Swing door -
installation above



Swing door - installation
lateral/ vertical



Double
swing door



Single
sliding door



Double
sliding door



Pivot door -
installation below



Pivot door -
installation above & below



Folding door



Curved door

Floor Surfaces



For even,
flat floors



For uneven
floors



OPTION
Option for
uneven floors

PRODUCT ILLUSTRATIONS

All dimensions in this brochure are in millimetres.

INTELLECTUAL PROPERTY

© 2025 Lorient – this brochure is protected by copyright and neither the drawings nor the text may be reproduced or transmitted in any form without prior consent from Lorient. The Planet products described in this brochure are protected by patents and design registrations in Great Britain and other countries.

We are committed to continually enhancing and improving our product range. We reserve the right to change product specifications from time to time without prior notice. E&OE.

April 2025.

Planet Drop Seals

CONTENTS

02

Introduction

03

Product Selector

04 – 07

Product Range

08 – 19

Drop Seals for Timber Doors

20 – 26

Drop Seals for Metal Doors

27 – 39

Drop Seals for Glass Doors

40 – 46

Drop Seals for Exterior Doors

47 – 49

Drop Seals for Sliding Doors

50 – 51

Drop Seals for Pivot Doors

52

Drop Seals for Uneven Floors

53

Drop Seals for Folding Doors

54

How to Shorten Drop Seals

55

Drop Height Adjustment

55

Understanding DIN Direction

58

CPD Seminars

59

Testing + Technical Services

61

Sealing Systems

Planet has been designing and manufacturing innovative drop seals for over 70 years.



Thanks to the highest quality standards, a sustainable and future-oriented production method and the constant pursuit of innovation, Planet has firmly established itself as the leader in a fast-growing market.

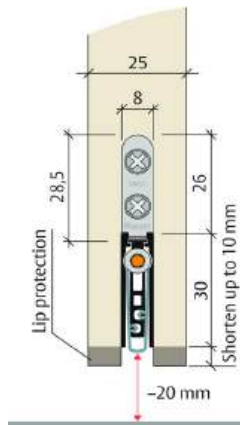
Planet – Quality and innovation – 100 % Swiss-made



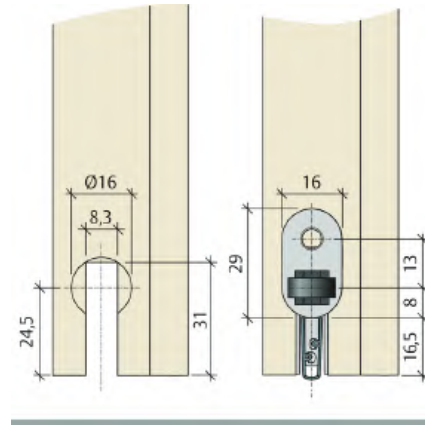
PRODUCT SELECTOR

Planet drop seals provide effective solutions for acoustic, smoke, and fire containment across various door applications. Designed for use with timber, metal, PVC, and glass doors, these high-performance seals enhance comfort, safety, and energy efficiency. The collection includes options for hinged, sliding, folding, and swing doors, ensuring seamless integration into a wide range of building designs.

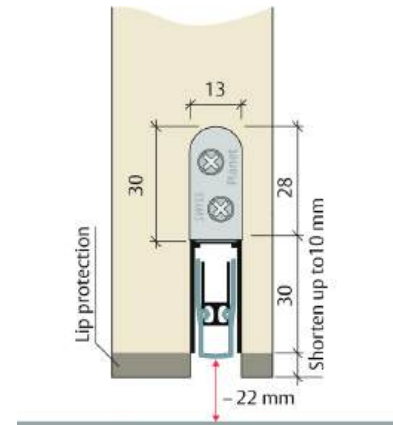
Product	Fixing	Drop	dB	Door Type									Page
				Timber	Metal	PVC	Glass	Pivot	Sliding	Folding	Curved	Exterior	
Planet US	Mortised	20mm	48dB	▲	▲	▲	-	▲	▲	▲	-	-	9
Planet HS	Mortised	22mm	48dB	▲	▲	▲	-	▲	▲	▲	-	-	11
Planet HS PLUS	Mortised	22mm	55dB	▲	▲	▲	-	▲	▲	▲	-	-	12
Planet RH	Mortised	27mm	44dB	▲	▲	▲	-	▲	▲	▲	-	-	13
Planet FT	Mortised	22mm	48dB	▲	▲	▲	-	▲	▲	▲	-	-	14
Planet RF	Mortised	27mm	44dB	▲	▲	▲	-	▲	▲	▲	▲	-	15
Planet PU	Mortised	16mm	50dB	▲	▲	-	-	-	▲	▲	▲	-	16
Planet KT	Mortised	18mm	48dB	▲	▲	▲	-	▲	▲	▲	-	-	17
Planet TW	Mortised	12mm	49dB	▲	▲	▲	-	-	▲	▲	-	-	21
Planet MF	Mortised	16mm	50dB	▲	▲	▲	-	-	▲	▲	-	-	22
Planet MF PLUS	Mortised	16mm	54dB	▲	▲	▲	-	-	▲	▲	-	-	23
Planet RO	Mortised	16mm	50dB	-	▲	-	-	-	▲	▲	-	-	24
Planet RS	Mortised	16mm	50dB	▲	▲	▲	-	-	▲	▲	-	-	25
Planet KG-A	Face-fixed	16mm	48dB	-	-	-	▲	-	▲	-	-	-	32
Planet KG-F	Face-fixed	16mm	48dB	-	-	-	▲	-	▲	▲	-	-	35
Planet KG-SM	Face-fixed	16mm	48dB	▲	▲	▲	▲	-	▲	-	-	-	31
Planet KG-S	Face-fixed	16mm	48dB	▲	▲	-	▲	-	▲	-	-	-	30
Planet KG-U	Face-fixed	18mm	48dB	-	-	-	▲	-	▲	▲	-	-	38
Planet US pivot	Mortised	20mm	48dB	▲	▲	▲	-	▲	-	-	-	-	48
Planet SN	Mortised	16mm	44dB	▲	-	-	-	-	▲	-	-	-	45
Planet X3	Mortised	12mm	52dB	▲	▲	▲	-	-	-	-	-	▲	41



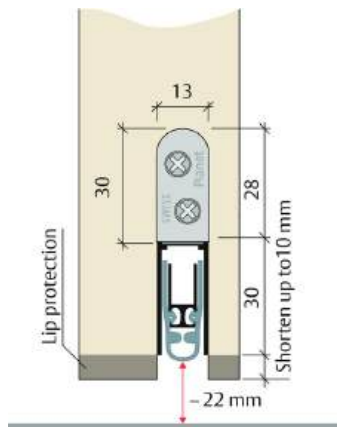
Planet US



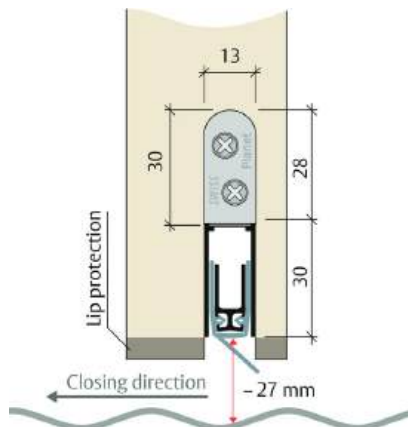
Planet US pivot module set



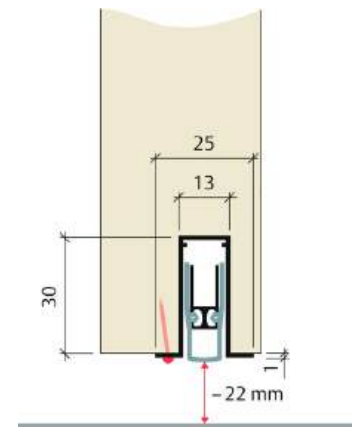
Planet HS



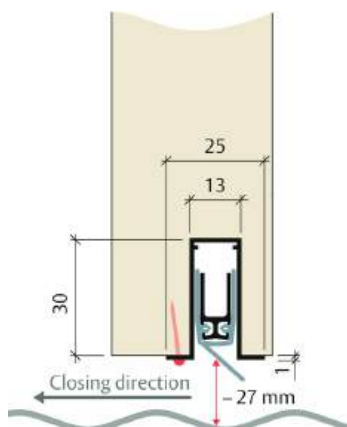
Planet HS



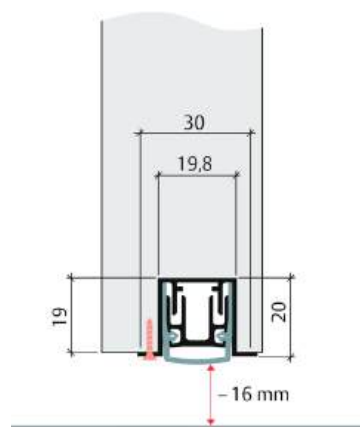
Planet RH



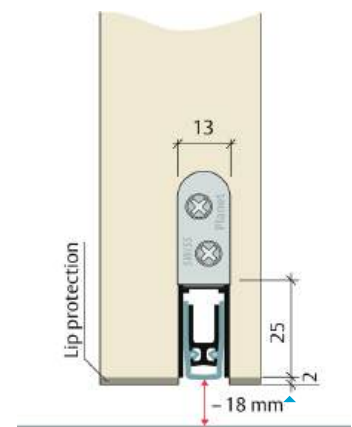
Planet FT



Planet RF



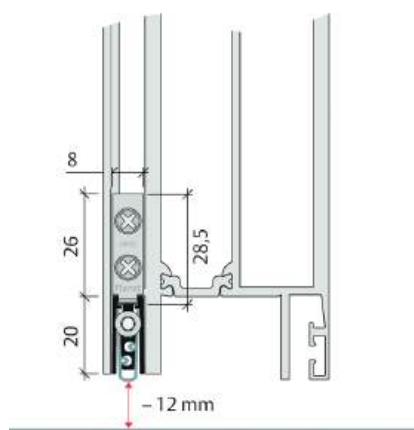
Planet PU



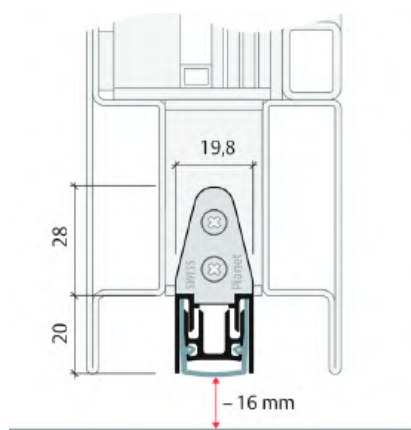
Planet KT

DROP SEALS FOR METAL DOORS

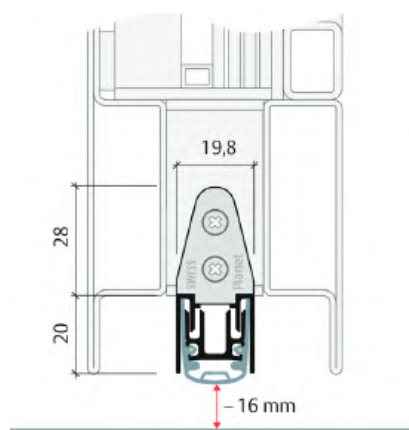
(PAGES 20–26)



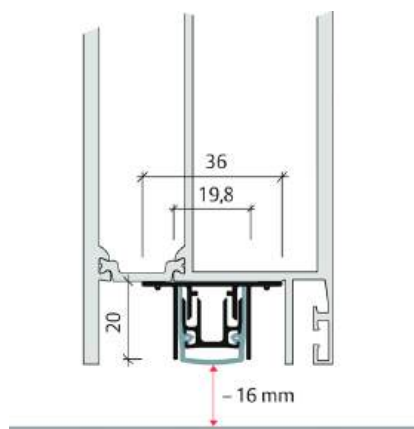
Planet TW



Planet MF



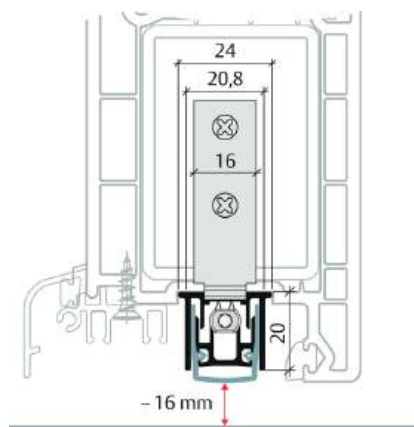
Planet MF PLUS



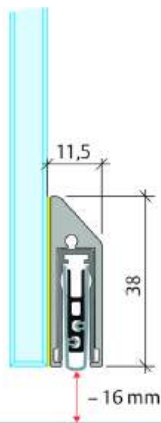
Planet RO

DROP SEALS FOR PVC DOORS

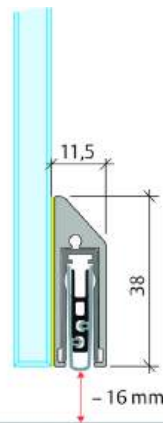
(PAGE 25)



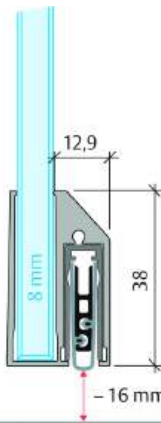
Planet RS



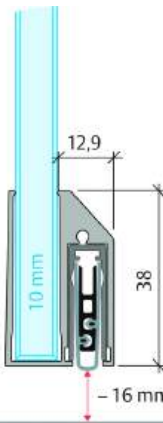
Planet KG-SM set narrow



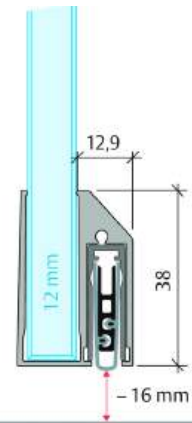
Planet KG-S narrow



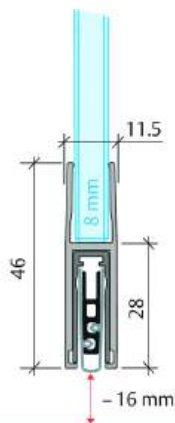
Planet KG-A8



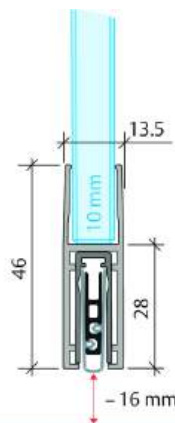
Planet KG-A10



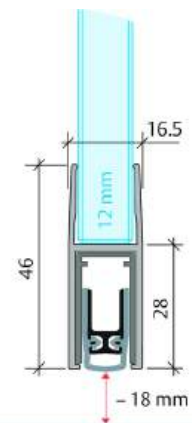
Planet KG-A12



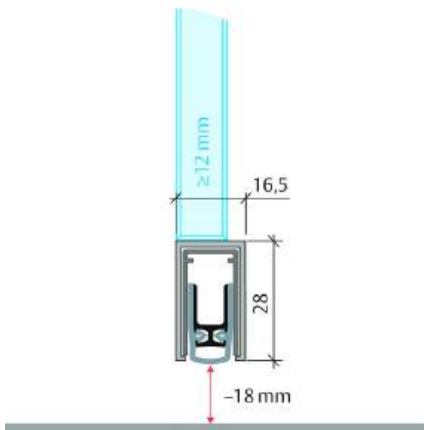
Planet KG-F8



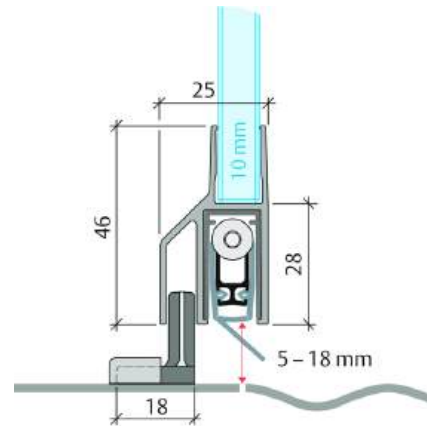
Planet KG-F10



Planet KG-F12



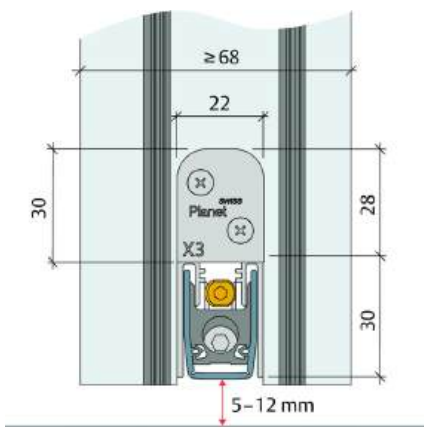
Planet KG-U



Planet KG-SL10

DROP SEAL FOR EXTERIOR DOORS

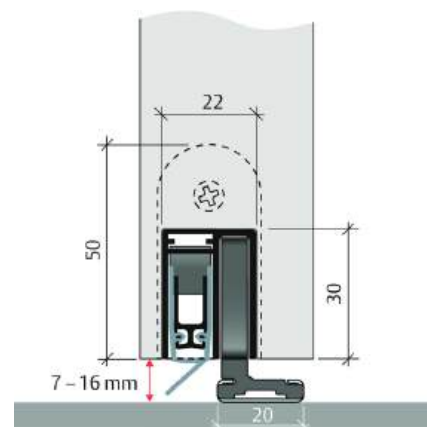
(PAGES 40–46)



Planet X3

DROP SEAL FOR SLIDING DOORS

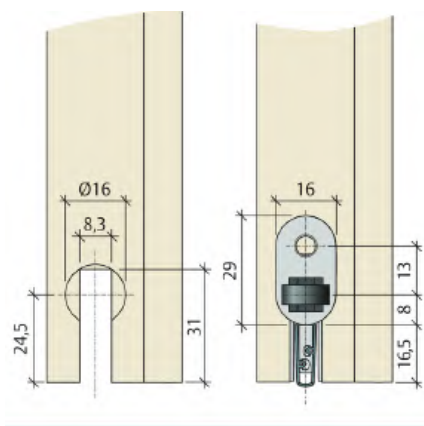
(PAGES 47–49)



Planet SN

DROP SEAL FOR PIVOT DOORS

(PAGES 50–51)



Planet Pivot



▼

TIMBER DOORS

A range of drop seals for timber doors that fit to the bottom of a door and drop down automatically when the door closes to form a firm seal.

A spring-loaded mechanism, requiring no power, ensures easy door operation and effective sealing when closed.

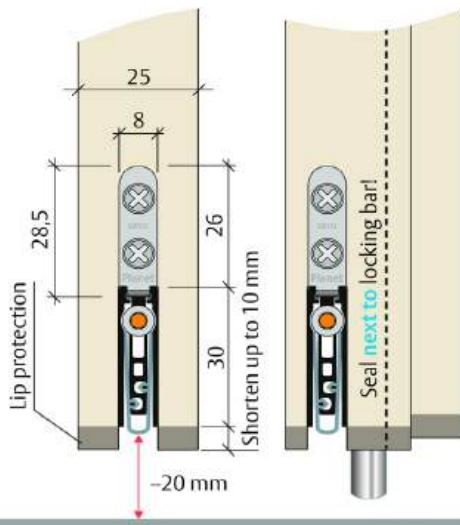


Planet US

MORTISED



A slimline, mortised automatic drop seal designed for timber, metal, and PVC doors. Its ultra-narrow 8mm profile makes it ideal for minimalistic applications and allows installation alongside the Planet KR flush bolt. Featuring a high-efficiency mechanism with hinge-side triggering, it enables parallel lowering and automatic compensation for sloping floors. Suitable for fire and smoke-shielding doors, with a seal height of up to 20mm. Alternatively, an optional bevel lip is available for uneven floors, accommodating gaps of up to 24mm.



Planet US

Planet US Drop Seal



SYSTEM SPECIFICATIONS

Key benefits

- ▶ Unilateral and silent actuation.
- ▶ No scraping / trailing on the floor, thanks to parallel drop.
- ▶ High-quality silicone gasket, lateral protrusion adjustable.
- ▶ Can be shortened to the next smaller stock length.
- ▶ Deeper recess allows for protection of the silicone lip.

Characteristics

- ▶ Suitable for use on timber, metal & PVC doors.
- ▶ Sound absorption level up to 48dB.

Possible door types (depending on options)

- ▶ Single swing doors, double swing doors, sliding doors, folding doors, pivot doors.

Profile size

- ▶ 8mm x 30mm.

Groove size

- ▶ 8.3mm x 30.5 - 40mm deep.

Max drop height

- ▶ 20mm.

Profile material

- ▶ Aluminium.
- ▶ Optional anti-corrosion finish to special order.

Seal material

- ▶ **Planet US RD:** High-quality silicone.
- ▶ **Planet US FH+RD:** High-quality self-extinguishing silicone.
- ▶ Bevel lip available for uneven floors. Left-handed or right-handed variants.

Adjustment

- ▶ Self-levelling on uneven surfaces.
- ▶ Automatic compensation of sloped floors.
- ▶ Easy drop height adjustment.
- ▶ Door bottom can be adjusted without seal removal.

Drop height adjustment

- ▶ Using 3mm allen key.

Standard lengths

- ▶ 460mm, 585mm, 710mm, 835mm, 960mm, 1085mm, 1210mm, 1335mm, 1460mm, 1585mm.
- ▶ Note: Each length can be cut back by 125mm.
- ▶ Sizes up to 6m are available to special order.

Fixing

- ▶ Fixing screws are supplied. This seal is mortised. Pre-drilled end plates are supplied, which also secure the product in place.

Accessories (supplied)

- ▶ Planet assembly set TW/US for wood, incl. 2 mounting brackets (stainless steel), 4 screws and stopping plate, type 1 (stainless steel).

Finishes

- ▶ Silver non-anodised aluminium as standard.

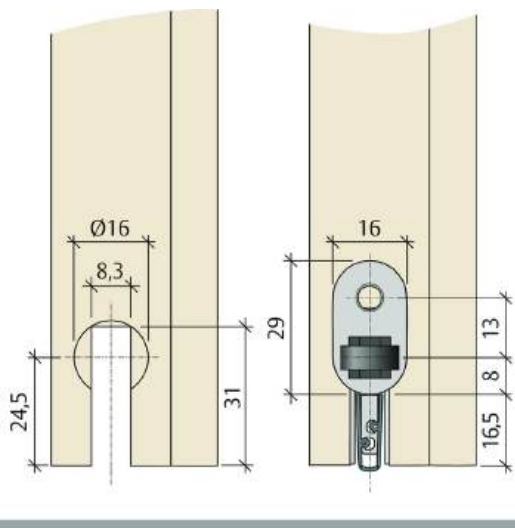
Planet US Pivot Module Set

MORTISED



A complete sealing solution for rebated pivot doors, combining the Planet US drop seal with the Planet US pivot module. Designed for both top and bottom installation, it features a force-decoupled housing for enhanced durability and a silent release mechanism for smooth, low-resistance operation. Its ultra-narrow 8mm profile allows installation in slim pivot door leaves, while the high-efficiency mechanism enables parallel lowering and automatic compensation for sloping floors. Provides a seal height of up to 20mm for reliable performance in demanding applications.

DROP SEALS - TIMBER DOORS



Planet Pivot Drop Seal



Planet Pivot



Planet pivot module
«rebated» stainless steel



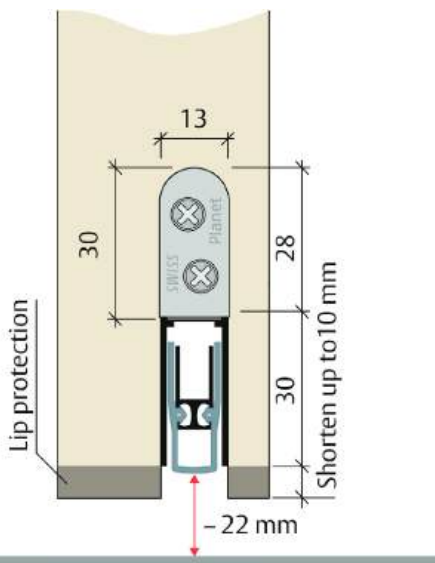
Planet pivot module
«rebated» black

Planet HS

MORTISED



A mortised automatic drop seal designed for timber, metal, and PVC doors. Featuring a high-efficiency mechanism with hinge-side triggering, it enables parallel lowering and automatic compensation for sloping floors. Suitable for fire and smoke-shielding doors, with a seal height of up to 22mm.



Planet HS

DROP SEALS - TIMBER DOORS

Planet HS Drop Seal



SYSTEM SPECIFICATIONS

Key benefits

- ▶ Unilateral and silent actuation.
- ▶ No scraping / trailing on the floor, thanks to parallel drop
- ▶ High-quality silicone lip, lateral protrusion adjustable.
- ▶ Can be shortened to the next smaller stock length.
- ▶ No tedious silicone cutting at both ends.
- ▶ Deeper recess allows for protection of the silicone lip.

Characteristics

- ▶ Suitable for use on timber, metal & PVC doors.
- ▶ Sound absorption level up to 48dB (at ground air 7 mm).

Possible door types (depending on options)

- ▶ Single swing doors, double swing doors, sliding doors, folding doors, pivot doors.

Profile size

- ▶ 13mm x 30mm.

Groove size

- ▶ 13.3mm x 30.5mm - 40mm deep.

Max drop height

- ▶ 22mm.

Profile material

- ▶ Aluminium.
- ▶ Optional anti-corrosion finish to special order.

Seal material

- ▶ Planet HS RD: High-quality silicone.
- ▶ Planet HS FH+RD: High-quality self-extinguishing silicone.

Adjustment

- ▶ Self-levelling on uneven surfaces.
- ▶ Automatic compensation of sloped floors.
- ▶ Easy drop height adjustment.
- ▶ Door bottom can be adjusted without seal removal.

Drop height adjustment

- ▶ Using 3mm allen key.

Standard lengths

- ▶ 335mm, 460mm, 585mm, 710mm, 835mm, 960mm, 1085mm, 1210mm, 1335mm, 1460mm.
- ▶ Note: Each length can be cut back by 125mm.
- ▶ Sizes up to 6m are available to special order.

Fixing

- ▶ Fixing screws are supplied. This seal is mortised. Fix with stainless steel mounting brackets and screws on the side.

Accessories (supplied)

- ▶ Planet HS assembly set with 2 mounting brackets (stainless steel), 4 screws and stopping plate type 1 (stainless steel).

Finishes

- ▶ Silver non-anodised aluminium as standard.

Planet HS-Plus

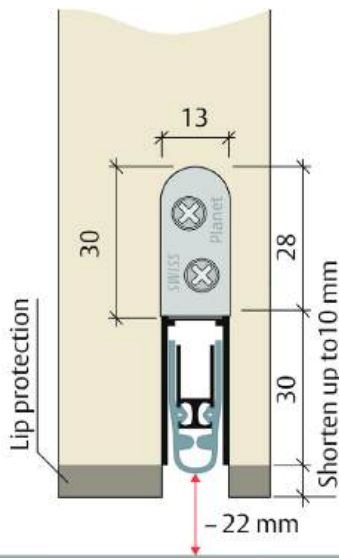
MORTISED



55dB

A mortised automatic drop seal designed for timber, metal, and PVC doors. Featuring a high-efficiency mechanism with hinge-side triggering, it enables parallel lowering and automatic compensation for sloping floors. Suitable for fire and smoke-shielding doors, with a seal height of up to 22mm.

DROP SEALS - TIMBER DOORS



Planet HS-Plus

Planet HS-Plus Drop Seal



SYSTEM SPECIFICATIONS

Key benefits

- ▶ Unilateral and silent actuation.
- ▶ No scraping / trailing on the floor, thanks to parallel drop
- ▶ High-quality silicone lip, lateral protrusion adjustable.
- ▶ Can be shortened to the next smaller stock length.
- ▶ No tedious silicone cutting at both ends.
- ▶ Deeper recess allows for protection of the silicone lip.

Characteristics

- ▶ Suitable for use on timber, metal & PVC doors.
- ▶ Sound absorption level up to 55dB (at ground air 7 mm).

Possible door types (depending on options)

- ▶ Single swing doors, double swing doors, sliding doors, folding doors, pivot doors.

Profile size

- ▶ 13mm x 30mm.

Groove size

- ▶ 13.3mm x 30.5mm - 40mm deep.

Max drop height

- ▶ 22mm.

Profile material

- ▶ Aluminium.
- ▶ Optional anti-corrosion finish to special order.

Seal material

- ▶ Planet HS-Plus RD: High-quality silicone.
- ▶ Planet HS-Plus FH+RD: High-quality self-extinguishing silicone.

Adjustment

- ▶ Self-levelling on uneven surfaces.
- ▶ Automatic compensation of sloped floors.
- ▶ Easy drop height adjustment.
- ▶ Door bottom can be adjusted without seal removal.

Drop height adjustment

- ▶ Using 3mm allen key.

Standard lengths

- ▶ 335mm, 460mm, 585mm, 710mm, 835mm, 960mm, 1085mm, 1210mm, 1335mm, 1460mm.
- ▶ Note: Each length can be cut back by 125mm.
- ▶ Sizes up to 6m are available to special order.

Fixing

- ▶ Fixing screws are supplied. This seal is mortised. Fix with stainless steel mounting brackets and screws on the side.

Accessories (supplied)

- ▶ Planet HS assembly set with 2 mounting brackets (stainless steel), 4 screws and stopping plate type 1 (stainless steel).

Finishes

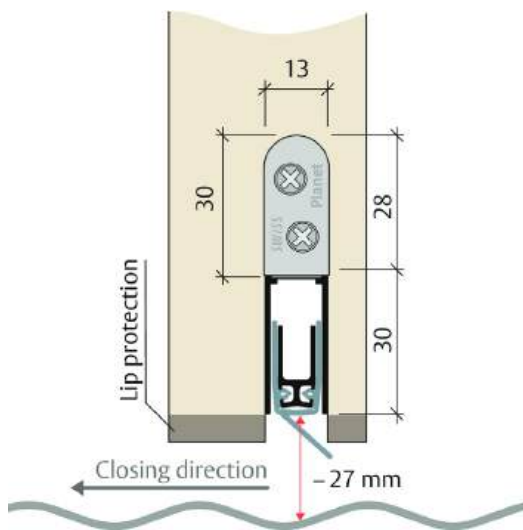
- ▶ Silver non-anodised aluminium as standard.

Planet RH

MORTISED



A mortised automatic drop seal designed for timber, metal, and PVC doors. Featuring a high-efficiency mechanism with hinge-side triggering, it enables parallel lowering and automatic adaptation to uneven floors. Its bevel lip ensures a secure seal on irregular surfaces and accommodates gaps of up to 27mm. Suitable for fire and smoke-shielding doors.



Planet RH Drop Seal



Planet RH

DROP SEALS - TIMBER DOORS



SYSTEM SPECIFICATIONS

Key benefits

- ▶ For uneven and sloping floors.
- ▶ Soft silicone bevel lip seal.
- ▶ Slope compensation for 1000mm door width: 15 mm.
- ▶ One groove size for Planet RH and HS (even floors).
- ▶ Deeper recess allows for protection of the silicone lip.

Characteristics

- ▶ Suitable for use on timber, metal & PVC doors.
- ▶ Sound absorption level up to 44dB.

Possible door types (depending on options)

- ▶ Single swing doors, double swing doors, sliding doors, folding doors, pivot doors.

Profile size

- ▶ 13mm x 30mm.

Groove size

- ▶ 13.3mm x 30.5 - 40mm deep.

Max drop height

- ▶ 27mm.

Profile material

- ▶ Aluminium.
- ▶ Optional anti-corrosion finish to special order.

Seal material

- ▶ **Planet RH RD:** High-quality silicone.
- ▶ **Planet RH FH+RD:** High-quality self-extinguishing silicone.
- ▶ Left-handed or right-handed variants.

Adjustment

- ▶ Self-levelling on uneven surfaces.
- ▶ Automatic compensation of sloped floors.
- ▶ Easy drop height adjustment.
- ▶ Door bottom can be adjusted without seal removal.

Drop height adjustment

- ▶ Using 3mm allen key.

Standard lengths

- ▶ 335mm, 460mm, 585mm, 710mm, 835mm, 960mm, 1085mm, 1210mm, 1335mm, 1460mm.
- ▶ Note: Each length can be cut back by 125mm.
- ▶ Sizes up to 6m are available to special order.

Fixing

- ▶ Fixing screws are supplied. This seal is mortised. Fix with stainless steel mounting brackets and screws on the side.

Accessories (supplied)

- ▶ Planet HS assembly set with 2 mounting brackets (stainless steel), 4 screws and stopping plate type 1 (stainless steel).

Finishes

- ▶ Silver non-anodised aluminium as standard.

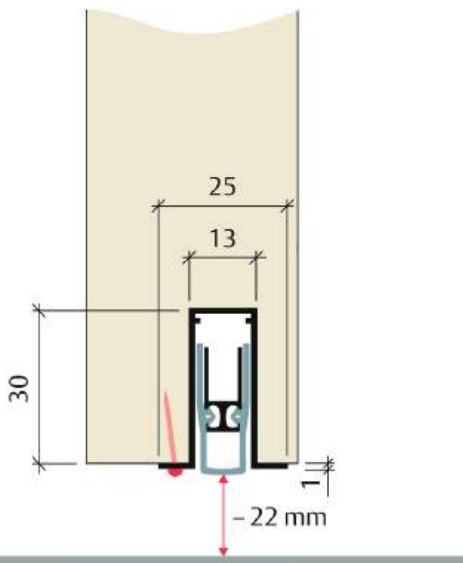
Planet FT

MORTISED OR FACE-FIXED



A mortised, or face-fixed automatic drop seal designed for timber, metal, and PVC doors. Featuring a high-efficiency mechanism with hinge-side triggering, it enables parallel lowering and automatic compensation for sloping floors. Suitable for fire and smoke-shielding doors, with a seal height of up to 22mm. Can be face-fixed with optional cover plate.

DROP SEALS - TIMBER DOORS



Planet FT

Planet FT Drop Seal



SYSTEM SPECIFICATIONS

Key benefits

- ▶ Unilateral and silent actuation.
- ▶ No scraping / trailing on the floor, thanks to parallel drop
- ▶ High-quality silicone lip, lateral protrusion adjustable.
- ▶ Cover plate available for face-fixing.
- ▶ Can be shortened to the next smaller stock length.
- ▶ Deeper recess allows for protection of the silicone lip.

Characteristics

- ▶ Suitable for use on timber, metal & PVC doors.
- ▶ Sound absorption level up to 48dB.

Possible door types (depending on options)

- ▶ Single swing doors, double swing doors, sliding doors, folding doors, pivot doors, circular doors.

Profile size

- ▶ 13mm x 30mm.

Groove size

- ▶ 13.3mm x 30.5mm deep.

Max drop height

- ▶ 22mm.

Profile material

- ▶ Aluminium.
- ▶ Optional anti-corrosion finish to special order.

Seal material

- ▶ Planet FT RD: High-quality silicone.
- ▶ Planet FT FH+RD: High-quality self-extinguishing silicone..

Adjustment

- ▶ Self-levelling on uneven surfaces.
- ▶ Automatic compensation of sloped floors.
- ▶ Easy drop height adjustment.
- ▶ Door bottom can be adjusted without seal removal.

Drop height adjustment

- ▶ Using 3mm allen key.

Standard lengths

- ▶ 350mm, 450mm, 550mm, 650mm, 750mm, 850mm, 950mm, 1050mm, 1150mm, 1250mm, 1350mm, 1450mm.
- ▶ Note: Each length can be cut back by max. 100mm.
- ▶ Sizes up to 6m are available to special order.

Fixing

- ▶ This seal is mortised. Fixing from below with on-site screws or nails/pins.

Accessories (supplied)

- ▶ Planet stopping plate, type 1 (stainless steel).

Finishes

- ▶ Silver as standard.

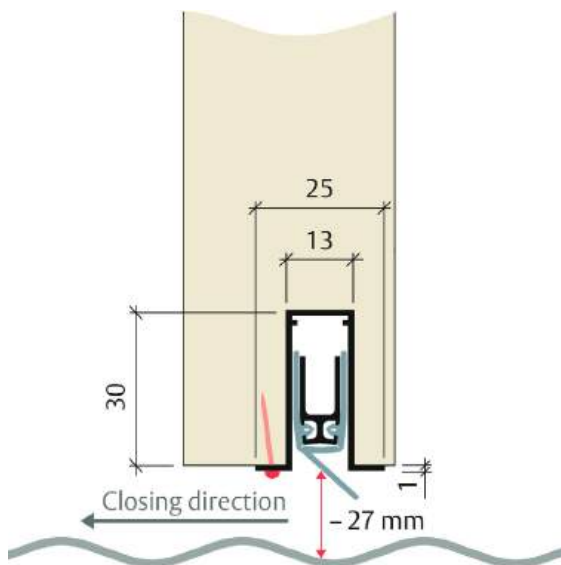


Planet RF

MORTISED OR FACE-FIXED



A mortised automatic drop seal designed for timber, metal, and PVC doors. Featuring a high-efficiency mechanism with hinge-side triggering, it enables parallel lowering and automatic adaptation to uneven floors. Its bevel lip ensures a secure seal on irregular surfaces and accommodates gaps of up to 27mm. Suitable for fire and smoke-shielding doors. Can be face-fixed with optional cover plate.



Planet RF Drop Seal



Planet RF



DROP SEALS - TIMBER DOORS

SYSTEM SPECIFICATIONS

Key benefits

- ▶ For uneven and sloping floors.
- ▶ Soft silicone bevel lip seal.
- ▶ Slope compensation for 1000mm door width: 15 mm.
- ▶ Cover plate available for face-fixing.
- ▶ One groove size for Planet RH and HS (even floors).
- ▶ Deeper recess allows for protection of the silicone lip.

Characteristics

- ▶ Suitable for use on timber, metal & PVC doors.
- ▶ Sound absorption level up to 44dB (at ground air 7 mm).

Possible door types (depending on options)

- ▶ Single swing doors, double swing doors, sliding doors, folding doors, pivot doors, circular doors.
- ▶ Left-handed or right-handed variants.

Profile size

- ▶ 13mm x 30mm.

Groove size

- ▶ 13.3mm x 30.5mm deep.

Max drop height

- ▶ 27mm.

Profile material

- ▶ Aluminium.
- ▶ Optional anti-corrosion finish to special order.

Seal material

- ▶ **Planet RH RD:** High-quality silicone.
- ▶ **Planet RH FH+RD:** High-quality self-extinguishing silicone.

Adjustment

- ▶ Self-levelling on uneven surfaces.
- ▶ Automatic compensation of sloped floors.
- ▶ Easy drop height adjustment.
- ▶ Door bottom can be adjusted without seal removal.

Drop height adjustment

- ▶ Using 3mm allen key.

Standard lengths

- ▶ 350mm, 450mm, 550mm, 650mm, 750mm, 850mm, 950mm, 1050mm, 1150mm, 1250mm, 1350mm, 1450mm.
- ▶ Note: Each length can be cut back by max. 100mm.
- ▶ Sizes up to 6m are available to special order.

Fixing

- ▶ This seal is mortised. Fixing from below with on-site screws or nails/pins.

Accessories (supplied)

- ▶ Planet stopping plate, type 1 (stainless steel).

Finishes

- ▶ Silver as standard.

Planet PU

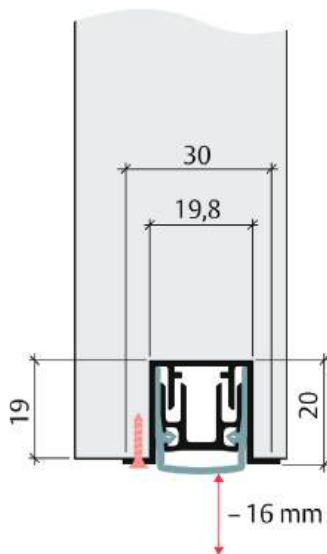
MORTISED



50dB

A mortised automatic drop seal designed for timber and metal doors. Featuring a high-efficiency mechanism with hinge-side triggering, it enables parallel lowering with automatic compensation for sloping floors. Supplied with a standard gasket for even, flat floors, providing a maximum drop of 16mm. Alternatively, an optional bevel lip is available for uneven floors, accommodating gaps of up to 20mm. Suitable for fire and smoke-shielding doors.

DROP SEALS - TIMBER DOORS



Planet PU

Planet PU Drop Seal



SYSTEM SPECIFICATIONS

Key benefits

- ▶ Unilateral and silent actuation.
- ▶ No scraping / trailing on the floor, thanks to parallel drop.
- ▶ High-quality silicone lip, lateral protrusion adjustable.
- ▶ Can be shortened to the next smaller stock length.
- ▶ Deeper recess allows for protection of the silicone lip.

Characteristics

- ▶ Suitable for use on timber & metal doors.
- ▶ Sound absorption level up to 50dB (at ground air 7mm).

Possible door types (depending on options)

- ▶ Single swing doors, double swing doors, sliding doors, folding doors, pivot doors.

Profile size

- ▶ 19.8mm x 20mm.

Groove size

- ▶ 20.3mm x 19.5mm deep.

Max drop height

- ▶ 16mm.

Profile material

- ▶ Aluminium.
- ▶ Optional anti-corrosion finish to special order.

Seal material

- ▶ **Planet PU RD:** High-quality silicone.
- ▶ **Planet PU FH+RD:** High-quality self-extinguishing silicone.
- ▶ Bevel lip available for uneven floors (Left-handed or right-handed variants).

Adjustment

- ▶ Self-levelling on uneven surfaces.
- ▶ Automatic compensation of sloped floors.
- ▶ Easy drop height adjustment.
- ▶ Door bottom can be adjusted without seal removal.

Drop height adjustment

- ▶ Using 3mm allen key.

Standard lengths

- ▶ 335mm, 460mm, 585mm, 710mm, 835mm, 960mm, 1085mm, 1210mm, 1335mm, 1460mm, 1585mm.
- ▶ Note: Each length can be cut back by 125mm. 335mm can be cut back by 115mm.
- ▶ Sizes up to 6m are available to special order.

Fixing

- ▶ Fixing screws are supplied. This seal is mortised. from below with on-site screws or nails/pins.

Accessories (supplied)

- ▶ Planet stopping plate, type 1 (stainless steel).

Finishes

- ▶ Silver as standard.



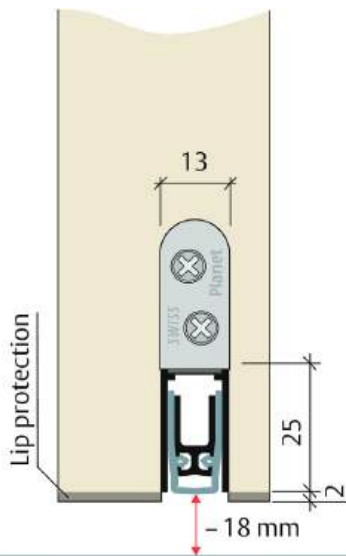
Planet KT

MORTISED



48dB

A mortised automatic drop seal designed for timber, metal, and PVC doors. Featuring a high-efficiency mechanism with hinge-side triggering, it enables parallel lowering with automatic compensation for sloping floors. Supplied with a standard gasket for even, flat floors, providing a maximum drop of 18mm. Alternatively, an optional bevel lip is available for uneven floors, accommodating gaps of up to 23mm. Suitable for fire and smoke-shielding doors.



Planet KT

Planet KT Drop Seal



SYSTEM SPECIFICATIONS

Key benefits

- ▶ Unilateral and silent actuation.
- ▶ No scraping / trailing on the floor, thanks to parallel drop.
- ▶ High-quality silicone lip, lateral protrusion adjustable.
- ▶ Deeper recess allows for protection of the silicone lip.

Characteristics

- ▶ Suitable for use on timber, metal & PVC doors.
- ▶ Sound absorption level up to 48dB (at ground air 7 mm).

Possible door types (depending on options)

- ▶ Single swing doors, double swing doors, sliding doors, folding doors, pivot doors.

Profile size

- ▶ 13mm x 25mm.

Groove size

- ▶ 13.3mm x 25.5mm - 27.5mm deep.

Max drop height

- ▶ 18mm.

Profile material

- ▶ Aluminium.
- ▶ Optional anti-corrosion finish to special order.

Seal material

- ▶ **Planet KT RD:** High-quality silicone.
- ▶ **Planet KT FH+RD:** High-quality self-extinguishing silicone.
- ▶ Bevel lip available for uneven floors (Left-handed or right-handed variants).

Adjustment

- ▶ Self-levelling on uneven surfaces.
- ▶ Automatic compensation of sloped floors.
- ▶ Easy drop height adjustment.
- ▶ Door bottom can be adjusted without seal removal.

Drop height adjustment

- ▶ Using 3mm allen key.

Standard lengths

- ▶ 335mm, 460mm, 585mm, 710mm, 835mm, 960mm, 1085mm, 1210mm, 1335mm, 1460mm, 1585mm.
- ▶ Note: Each length can be cut back by 125mm. 335mm can be cut back by 115mm.
- ▶ Sizes up to 6m are available to special order.

Fixing

- ▶ Fixing screws are supplied. This seal is mortised. Pre-drilled end plates are supplied which also secure the product in place.

Accessories (supplied)

- ▶ Planet HS assembly set with 2 mounting brackets (stainless steel), 4 screws and stopping plate type 1 (stainless steel).

Finishes

- ▶ Silver as standard.

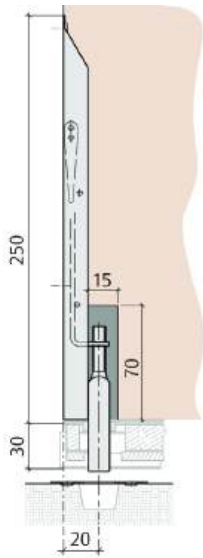
Planet KR Flush Bolt

MORTISED



A high-quality flush bolt designed for secure locking of double doors. The Planet KR flush bolt is suitable for wooden and metal doors with profile widths of 13mm and 20mm. Featuring an adjustable locking bolt and integrated plastic guide, it ensures smooth operation and a precise fit. Available in standard and extra-long versions for high doors, with round or corner face plates to suit various installations. Designed for compatibility with Planet drop seals, providing a continuous sealing solution. Available with three sealing options.

DROP SEALS - TIMBER DOORS



Planet KR Flush Bolt



Planet KR Flush Bolt with strike plate

SYSTEM SPECIFICATIONS

Key benefits

- ▶ Version for DIN L and DIN R.
- ▶ Planet drop-down seal prepared for fixed dimensions.
- ▶ Adjustable locking bolt.
- ▶ Deeper recess allows for protection of the silicone lip.

Possible door type

- ▶ Double swing doors.

Profile material

- ▶ Sheet steel.

Finishes

- ▶ Brushed, matt nickel-plated.

Bolt size options

- ▶ 5mm x 13mm.
- ▶ 8mm.
- ▶ 10mm (suitable for use with 20mm wide drop seals).

Variants available




- ▶ Planet KR flush bolt, bottom, round face plate, 15mm, 250mm long, matt nickel-plated, with lever.
- ▶ Planet KR flush bolt, bottom, corner face plate, 18mm, 250mm long, matt nickel-plated, with lever.
- ▶ Planet KR flush bolt, top, round face plate, 15mm, 250mm long, matt nickel-plated, with lever.
- ▶ Planet KR flush bolt long, top, round face plate, 15mm, 600mm long, matt nickel-plated, with lever.
- ▶ Planet KR flush bolt, top, corner face plate, 18mm, 250mm long, matt nickel-plated, with lever.

Accessories

OPTIONAL



DROP SEALS - TIMBER DOORS

Type	Size	Use with
	<p>38mm x 21mm incl. screws</p>	<p>Planet US, Planet HS, Planet HS-plus, Planet RH, Planet FT, Planet RF</p>
	<p>38mm x 21mm incl. screws</p>	<p>Planet US, Planet HS, Planet HS-plus, Planet RH, Planet FT, Planet RF</p>
	<p>13mm x 24mm incl. screws</p>	<p>Planet US, Planet HS, Planet HS-plus, Planet RH, Planet FT, Planet RF</p>



METAL DOORS

A range of drop seals for steel & aluminium doors that fit to the bottom of a door and drop down automatically when the door closes to form a firm seal.

A spring-loaded mechanism, requiring no power, ensures easy door operation and effective sealing when closed.

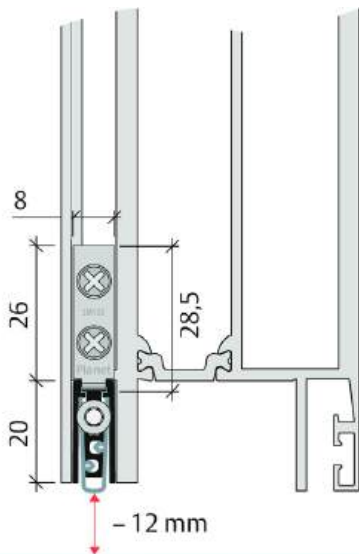
Planet TW

MORTISED



49dB

A mortised automatic drop seal designed for metal, timber, and PVC doors. Ideal for particularly narrow doors or confined spaces. Featuring a high-efficiency mechanism with hinge-side triggering, it enables parallel lowering with automatic compensation for sloping floors. Supplied with a standard gasket for even, flat floors, providing a maximum drop of 12mm. Alternatively, an optional bevel lip is available for uneven floors, accommodating gaps of up to 16mm. Suitable for fire and smoke-shielding doors.



Planet TW Drop Seal



Planet TW



SYSTEM SPECIFICATIONS

Key benefits

- ▶ Unilateral and silent actuation.
- ▶ No scraping / trailing on the floor, thanks to parallel drop.
- ▶ High-quality silicone lip, lateral protrusion adjustable.
- ▶ Can be shortened to the next smaller stock length.

Characteristics

- ▶ Suitable for use on metal, timber & PVC doors.
- ▶ Sound absorption level up to 49dB (at ground air 7 mm).

Possible door types (depending on options)

- ▶ Single swing doors, double swing doors, sliding doors, folding doors.

Profile size

- ▶ 8mm x 20mm.

Groove size

- ▶ 8.3mm x 20.5mm.

Max drop height

- ▶ 12mm.

Profile material

- ▶ Aluminium.
- ▶ Optional anti-corrosion finish to special order.

Seal material

- ▶ **Planet TW RD:** High-quality silicone.
- ▶ **Planet TW FH+RD:** High-quality self-extinguishing silicone with aluminium carrier.
- ▶ Bevel lip available for uneven floors (Left-handed or right-handed variants).

Adjustment

- ▶ Self-levelling on uneven surfaces.
- ▶ Automatic compensation of sloped floors.
- ▶ Easy drop height adjustment.
- ▶ Door bottom can be adjusted without seal removal.

Drop height adjustment

- ▶ Using 3mm allen key.

Standard lengths

- ▶ 460mm, 585mm, 710mm, 835mm, 960mm, 1085mm, 1210mm, 1335mm, 1460mm, 1585mm.
- ▶ Note: Each length can be cut back by 125mm. 335mm can be cut back by 115mm.
- ▶ Sizes up to 6m are available to special order.

Fixing

- ▶ Fixing with mounting bracket and self-tapping screws on the side.

Accessories (supplied)

- ▶ Planet assembly set TW/US for metal, including 2 stainless steel mounting brackets, and 4 screws.

Finishes

- ▶ Silver as standard.

Planet MF

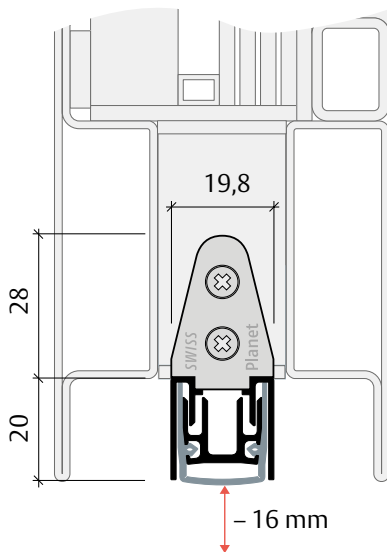
MORTISED



50dB

A mortised automatic drop seal designed for metal, timber, and PVC doors. Featuring a high-efficiency mechanism with hinge-side triggering, it enables parallel lowering with automatic compensation for sloping floors. Supplied with a standard gasket for even, flat floors, providing a maximum drop of 16mm. Alternatively, an optional bevel lip is available for uneven floors, accommodating gaps of up to 20mm. Suitable for fire and smoke-shielding doors.

DROP SEALS - METAL DOORS



Planet MF

Planet MF Drop Seal



SYSTEM SPECIFICATIONS

Key benefits

- ▶ Unilateral and silent actuation.
- ▶ No scraping / trailing on the floor, thanks to parallel drop.
- ▶ High-quality silicone lip, lateral protrusion adjustable.
- ▶ Can be shortened to the next smaller stock length.

Characteristics

- ▶ Suitable for use on metal, timber & PVC doors.
- ▶ Sound absorption level up to 50dB (at ground air 7 mm).

Possible door types (depending on options)

- ▶ Single swing doors, double swing doors, sliding doors, folding doors.

Profile size

- ▶ 19.8mm x 20mm.

Groove size

- ▶ 20.3mm wide x 20.5 - 25mm deep.

Max drop height

- ▶ 16mm.

Profile material

- ▶ Aluminium.
- ▶ Optional anti-corrosion finish to special order.

Seal material

- ▶ **Planet MF RD:** High-quality silicone.
- ▶ **Planet MF FH+RD:** High-quality self-extinguishing silicone with aluminium carrier.
- ▶ Bevel lip available for uneven floors (Left-handed or right-handed variants).

Adjustment

- ▶ Self-levelling on uneven surfaces.
- ▶ Automatic compensation of sloped floors.
- ▶ Easy drop height adjustment.
- ▶ Door bottom can be adjusted without seal removal.

Drop height adjustment

- ▶ Using 3mm allen key.

Standard lengths

- ▶ 335mm, 460mm, 585mm, 710mm, 835mm, 960mm, 1085mm, 1210mm, 1335mm, 1460mm, 1585mm.
- ▶ Note: Each length can be cut back by 125mm. 335mm can be cut back by 115mm.
- ▶ Sizes up to 6m are available to special order.

Fixing

- ▶ Fixing with mounting bracket and self-tapping screws on the side.

Accessories (supplied)

- ▶ Planet assembly set MF for metal, including 2 stainless steel mounting brackets, and self-tapping screws.

Finishes

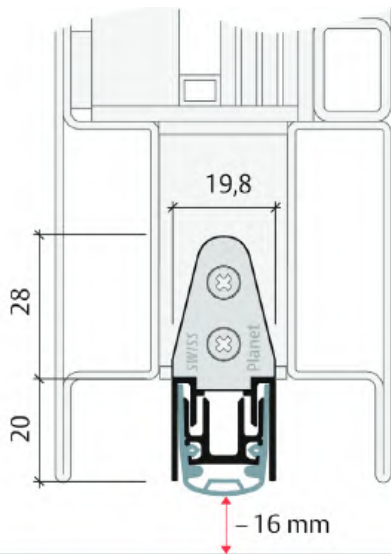
- ▶ Silver as standard.

Planet MF-PLUS

MORTISED



A mortised automatic drop seal designed for metal, timber, and PVC doors. Featuring an enhanced gasket for superior acoustic performance and a high-efficiency mechanism with hinge-side triggering, it enables parallel lowering with automatic compensation for sloping floors. Suitable for flat, even floors, with a maximum drop of 16mm.



Planet MF-PLUS

Planet MF-PLUS Drop Seal



SYSTEM SPECIFICATIONS

Key benefits

- ▶ Unilateral and silent actuation.
- ▶ No scraping / trailing on the floor, thanks to parallel drop.
- ▶ High-quality silicone lip, lateral protrusion adjustable.
- ▶ Can be shortened to the next smaller stock length.

Characteristics

- ▶ Suitable for use on metal, timber & PVC doors.
- ▶ Sound absorption level up to 54dB (at ground air 7 mm).

Possible door types (depending on options)

- ▶ Single swing doors, double swing doors, sliding doors, folding doors.

Profile size

- ▶ 19.8mm x 20mm.

Groove size

- ▶ 20.3mm wide x 20.5 - 25mm deep.

Max drop height

- ▶ 16mm.

Profile material

- ▶ Aluminium.
- ▶ Optional anti-corrosion finish to special order.

Seal material

- ▶ **Planet MF-Plus RD:** High-quality silicone.
- ▶ **Planet MF-Plus FH+RD:** High-quality self-extinguishing silicone with aluminium carrier.
- ▶ Bevel lip available for uneven floors (Left-handed or right-handed variants).

Adjustment

- ▶ Self-levelling on uneven surfaces.
- ▶ Automatic compensation of sloped floors.
- ▶ Easy drop height adjustment.
- ▶ Door bottom can be adjusted without seal removal.

Drop height adjustment

- ▶ Using 3mm allen key.

Standard lengths

- ▶ 335mm, 460mm, 585mm, 710mm, 835mm, 960mm, 1085mm, 1210mm, 1335mm, 1460mm, 1585mm.
- ▶ Note: Each length can be cut back by 125mm. 335mm can be cut back by 115mm.
- ▶ Sizes up to 6m are available to special order.

Fixing

- ▶ Fixing with mounting bracket and self-tapping screws on the side.

Accessories (supplied)

- ▶ Planet assembly set MF for metal, including 2 stainless steel mounting brackets, and self-tapping screws.

Finishes

- ▶ Silver as standard.

Planet RO

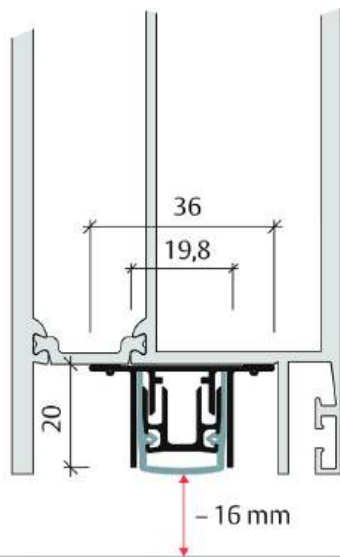
MORTISED



50dB

A mortised automatic, 'flat back' drop seal designed for metal, timber, and PVC doors. Featuring a high-efficiency mechanism with hinge-side triggering, it enables parallel lowering with automatic compensation for sloping floors. Supplied with a standard gasket for even, flat floors, providing a maximum drop of 16mm. Alternatively, an optional bevel lip is available for uneven floors, accommodating gaps of up to 20mm. Suitable for fire and smoke-shielding doors.

DROP SEALS - METAL DOORS



Planet RO

Planet RO Drop Seal



SYSTEM SPECIFICATIONS

Key benefits

- ▶ Unilateral and silent actuation.
- ▶ No scraping / trailing on the floor, thanks to parallel drop.
- ▶ High-quality silicone lip, lateral protrusion adjustable.
- ▶ Can be shortened to the next smaller stock length.

Characteristics

- ▶ Suitable for use on metal, timber & PVC doors.
- ▶ Sound absorption level up to 50dB (at ground air 7 mm).

Possible door types (depending on options)

- ▶ Single swing doors, double swing doors, sliding doors, folding doors.

Profile size

- ▶ 19.8mm x 20mm.

Max drop height

- ▶ 16mm.

Profile material

- ▶ Aluminium.
- ▶ Optional anti-corrosion finish to special order.

Seal material

- ▶ **Planet TW RD:** High-quality silicone.
- ▶ **Planet TW FH+RD:** High-quality self-extinguishing silicone with aluminium carrier.
- ▶ Bevel lip available for uneven floors (Left-handed or right-handed variants).

Adjustment

- ▶ Self-levelling on uneven surfaces.
- ▶ Automatic compensation of sloped floors.
- ▶ Easy drop height adjustment.
- ▶ Door bottom can be adjusted without seal removal.

Drop height adjustment

- ▶ Using 3mm allen key.

Standard lengths

- ▶ 335mm, 460mm, 585mm, 710mm, 835mm, 960mm, 1085mm, 1210mm, 1335mm, 1460mm, 1585mm.
- ▶ Note: Each length can be cut back by 125mm. 335mm can be cut back by 115mm.
- ▶ Sizes up to 6m are available to special order.

Fixing

- ▶ Fixing from below with on-site screws.

Accessories (supplied)

- ▶ Planet assembly set TW/US for metal, including 2 stainless steel mounting brackets, and 4 screws.

Finishes

- ▶ Silver as standard.



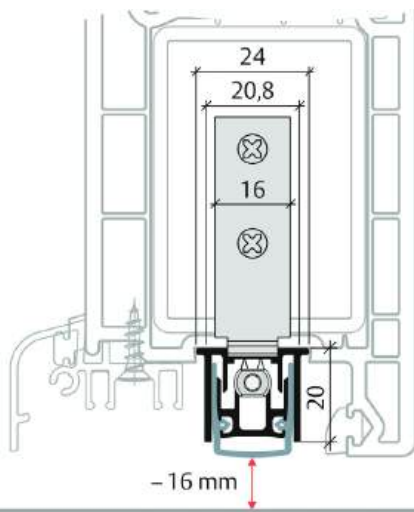
Planet RS

MORTISED



50dB

A mortised automatic drop seal designed for PVC doors, suitable for a 24mm front door groove. Its high-efficiency mechanism with hinge-side triggering enables parallel lowering with automatic compensation for sloping floors. Supplied with a mounting bracket for Eurogroove 16mm and a standard gasket for flat, even floors, providing a maximum drop of 16mm. An optional bevel lip is available for uneven floors, accommodating gaps of up to 20mm.



Planet RS Drop Seal



SYSTEM SPECIFICATIONS

Key benefits

- ▶ Unilateral and silent actuation.
- ▶ No scraping / trailing on the floor, thanks to parallel drop.
- ▶ Mounting kit for all standard system manufacturers.
- ▶ Can be shortened to the next smaller stock length.

Characteristics

- ▶ Suitable for use on PVC doors.
- ▶ Sound absorption level up to 50dB (at ground air 7 mm).

Possible door types (depending on options)

- ▶ Single swing doors, double swing doors, sliding doors, folding doors.

Profile size

- ▶ 19.8mm / 24mm x 20mm.

Max drop height

- ▶ 16mm.

Profile material

- ▶ Aluminium.
- ▶ Optional anti-corrosion finish to special order.

Seal material

- ▶ **Planet RS RD:** High-quality silicone.
- ▶ **Planet RS FH+RD:** High-quality self-extinguishing silicone with aluminium carrier.
- ▶ Bevel lip available for uneven floors (Left-handed or right-handed variants).

Adjustment

- ▶ Self-levelling on uneven surfaces.
- ▶ Automatic compensation of sloped floors.
- ▶ Easy drop height adjustment.
- ▶ Door bottom can be adjusted without seal removal.

Drop height adjustment

- ▶ Using 3mm allen key.

Standard lengths

- ▶ 335mm, 460mm, 585mm, 710mm, 835mm, 960mm, 1085mm, 1210mm, 1335mm, 1460mm, 1585mm.
- ▶ Note: Each length can be cut back by 125mm. 335mm can be cut back by 115mm.
- ▶ Sizes up to 6m are available to special order.

Fixing

- ▶ Fixing with assembly set, system manufacturer version.

Accessories (supplied)

- ▶ Mounting set RS, universal (suitable for common system manufacturers, e.g. Schüco, Kömmerling, Gealan, Salamander, etc.).




Finishes

- ▶ Silver as standard.

Accessories

OPTIONAL

DROP SEALS - METAL DOORS

Type	Size	Use with
 <p>Stopping plate Type 2</p>	38mm x 21mm incl. screws	Planet TW, Planet MF, Planet MF-plus
 <p>Stopping plate Type 3</p>	38mm x 21mm incl. screws	Planet TW, Planet MF, Planet MF-plus
 <p>Stopping plate Type 6</p>	13mm x 24mm incl. screws	Planet TW, Planet MF, Planet MF-plus



GLASS DOORS

A range of drop seals for glass doors that fit to the bottom of a door and drop down automatically when the door closes to form a firm seal.

A spring-loaded mechanism, requiring no power, ensures easy door operation and effective sealing when closed.



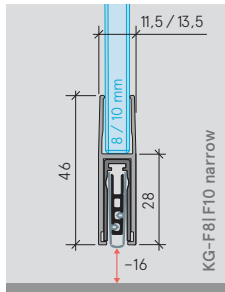
Seals in a narrow, optimised design:

Planet **KG-F narrow**, **KG-A narrow** and **KG-S narrow**

- Sound insulation value: **48dB** (at 7 mm ground clearance)
- Seal height up to **16 mm** or **18 mm** (KG-F12s | F16s)
- Stock lengths: 459, 584, 709, 834, 959, 1084, 1209, 1334, 1459mm, can be shortened max. 125mm

Optional: Protection profile in special colour anodised or powder-coated (on request)

DROP SEALS - GLASS DOORS

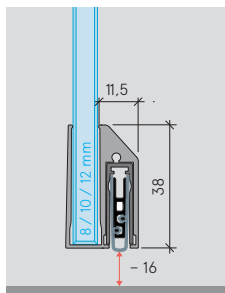
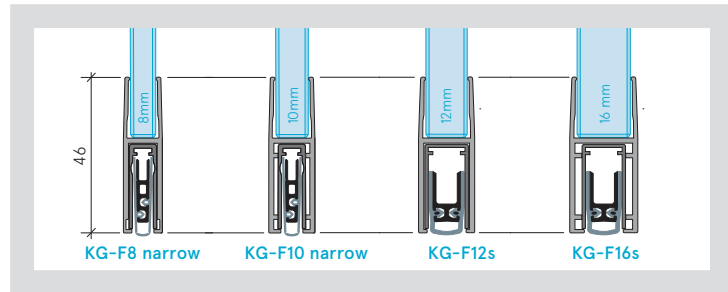
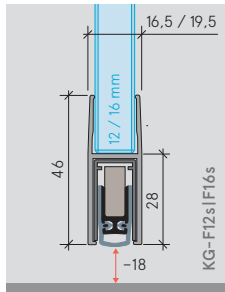


Planet **KG-F8|F10 narrow**, Planet **KG-F12s|F16s**

- For single-leaf and double-leaf all-glass doors with 8, 10, 12 and 16 mm glass thickness (16mm glass thickness is suitable for fire doors)
- Drop-down seal for attaching and gluing (VHB)
- Suitable for ESG safety glass and VSG multiple-walled glass widths

Versions

- Fire-resistant and smoke-proof (FH+RD)
- Surface: silver anodised finish EV1 or stainless steel satin anodised (INOX)

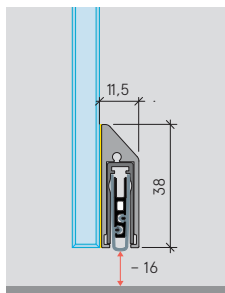


Planet **KG-A8 | A10 | A12 narrow**

- For single-leaf and double-leaf all-glass doors with 8, 10 and 12mm glass thickness
- Drop-down seal for attaching and gluing (VHB)
- Ready for use immediately after installation thanks to the fixing screws supplied
- Suitable for ESG safety glass and VSG multiple-walled glass widths

Versions

- Fire-resistant and smoke-proof (FH+RD)
- Surface: silver anodised finish EV1 or stainless steel satin anodised (INOX)

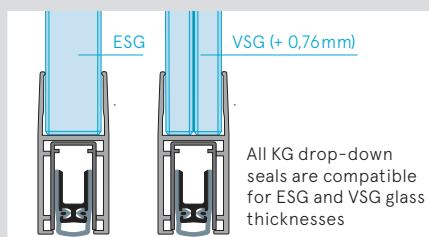


Planet **KG-S narrow**

- Suitable for all glass thicknesses, also for wooden, PVC and metal doors
- Glued on the side with UV glue or double-sided tape
- Ready for use immediately after installation thanks to the fixing screws supplied
- Suitable for ESG safety glass and VSG multiple-walled glass widths

Versions

- Fire-resistant and smoke-proof (FH+RD)
- Surface: silver anodised finish EV1, stainless steel satin anodised (INOX) or black C35 satin anodised



All KG drop-down seals are compatible for ESG and VSG glass thicknesses

Also available:



Planet **KG-SM set, narrow**, the complete set with everything you need for quick and easy installation of the KG-S narrow seal.

Versions: Surface silver anodised finish EV1, black C35 satin anodised or stainless steel satin anodised (INOX)



Thanks to the new mechanical fixation, Planet drop seals for glass doors are even easier to mount!

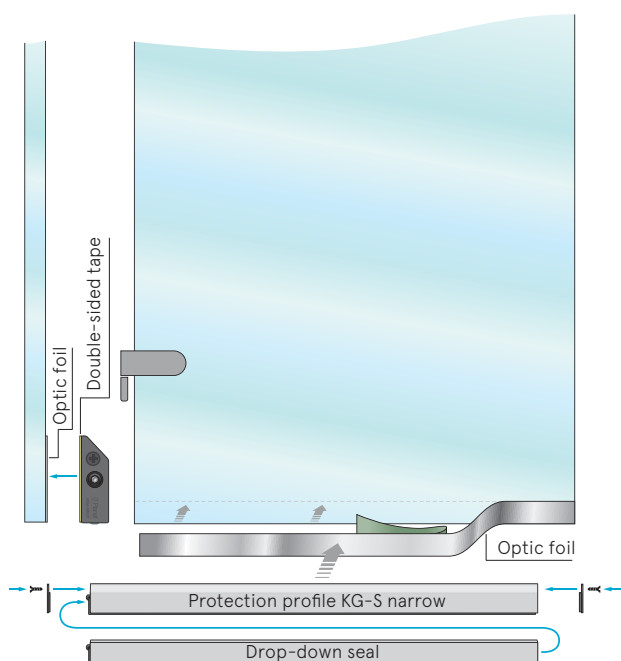
With the optimised seals for glass doors, even more time can now be saved during installation, as glue, silicone or UV adhesive can be dispensed with completely, thus eliminating waiting times for drying.

Assembly

Planet **KG-S narrow**, Planet **KG-SM-Set narrow**

Advantages:

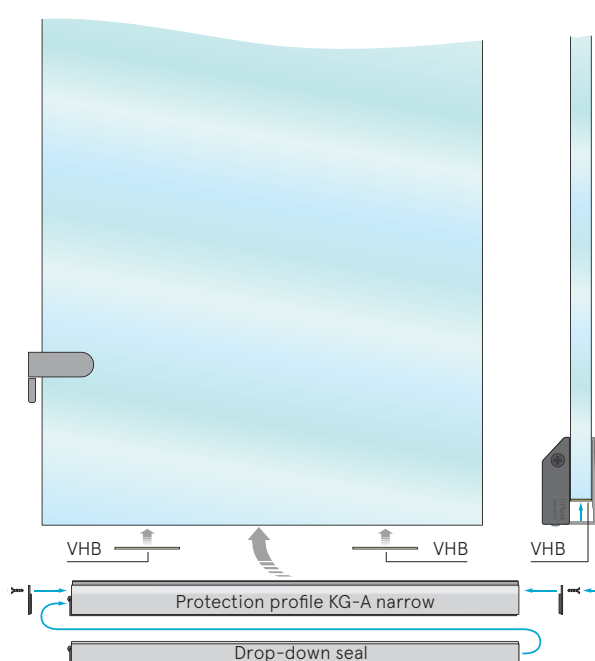
- Enables DIN L and DIN R to be changed
- Easy to replace at any time
- Individual special colours available
- Easy to retrofit



Planet **KG-A8 |A10 |A12 narrow**

Advantages:

- Enables DIN L and DIN R to be changed
- Easy to replace at any time
- Individual special colours available



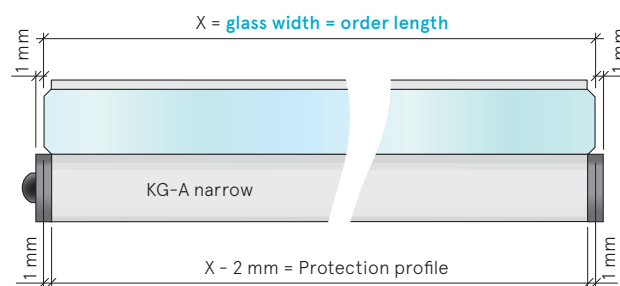
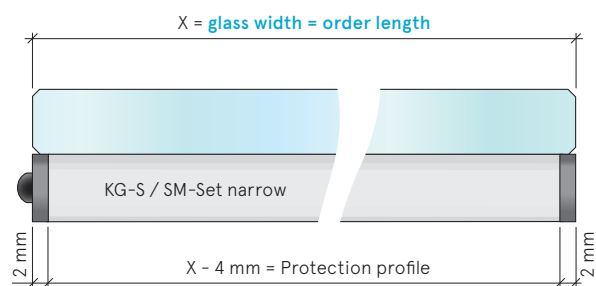
Simple installation (Illustration KG-SM-Set):

1. Attach the optical foil
2. Screw on the cover plates
3. Glue on the protection profile
4. Done!

Simple installation:

1. Attach double-sided VHB adhesive tape to glass
2. Screw on the cover plates
3. Glue on protection profile
4. Done!

Order length (view from above)



Planet KG-SM Set Narrow

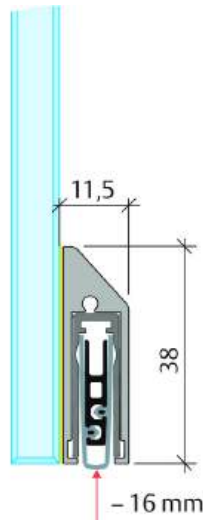
FACE-FIXED



48dB

A slimline, face-fixed automatic drop seal designed for glass, timber, metal, and PVC doors. Its ultra-narrow 11.5mm profile makes it ideal for minimalistic applications. Featuring a high-efficiency mechanism with a single-sided trigger, it enables parallel lowering and automatic compensation for sloping floors. Suitable for doors with a seal height of up to 16mm. Fixing tape allows for quick and easy installation on new and existing doors. An optional bevel lip is available for uneven floors, accommodating gaps of up to 20mm.

DROP SEALS - GLASS DOORS



Planet KG-SM Set Narrow Drop Seal



Planet KG-SM Set Narrow



SYSTEM SPECIFICATIONS

Key benefits

- ▶ Elegant architectural design solution.
- ▶ For new and existing doors.
- ▶ Unilateral and silent actuation.
- ▶ No scraping / trailing on the floor, thanks to parallel drop.
- ▶ High-quality silicone lip, lateral protrusion adjustable.
- ▶ Can be shortened to the next smaller stock length.

Characteristics

- ▶ Suitable for use on glass, timber, metal & PVC doors.
- ▶ Sound absorption level up to 48dB (at ground air 7 mm).

Possible door types (depending on options)

- ▶ Single swing doors, double swing doors, sliding doors.

Profile size

- ▶ 11.5mm x 38mm.

Max drop height

- ▶ 16mm.

Profile material

- ▶ Aluminium.

Seal material

- ▶ **Planet KG-SM set narrow RD:** High-quality silicone.
- ▶ **Planet KG-SM set narrow FH+RD:** High-quality self-extinguishing silicone with aluminium carrier.
- ▶ Bevel lip available for uneven floors (Left-handed or right-handed variants).

Adjustment

- ▶ Self-levelling on uneven surfaces.
- ▶ Automatic compensation of sloped floors.
- ▶ Easy drop height adjustment.
- ▶ Door bottom can be adjusted without seal removal.

Drop height adjustment

- ▶ Using 3mm allen key.

Standard lengths

- ▶ 459mm, 584mm, 709mm, 834mm, 959mm, 1084mm, 1209mm, 1334mm, 1459mm.
- ▶ Note: Each length can be cut back by 125mm.
- ▶ Sizes up to 6m are available to special order.

Fixing

- ▶ Glued to the side with double adhesive tape (supplied).

Accessories (supplied)

- ▶ Complete set consisting of drop-down seal, protection profile with prepared double adhesive tape, cover plates, stopping plates, fixing screws, optical film, Allen key.

Finishes

- ▶ Silver anodised EV1 as standard.
- ▶ Matt anodised stainless steel (INOX) or black C35 matt anodised or special colours powder coated (RAL / DB / NCS) to special order.

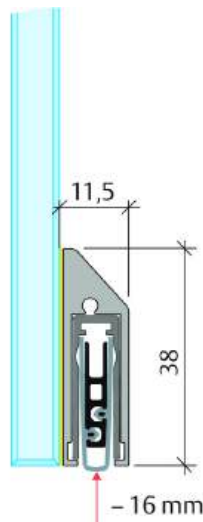
Planet KG-S Narrow

FACE-FIXED



48dB

A slimline, face-fixed automatic drop seal designed for glass, timber, metal, and PVC doors. Its ultra-narrow 11.5mm profile makes it ideal for minimalistic applications. Featuring a high-efficiency mechanism with a single-sided trigger, it enables parallel lowering and automatic compensation for sloping floors. Suitable for fire and smoke-shielding doors, with a seal height of up to 16mm. Designed for adhesive mounting. An optional bevel lip is available for uneven floors, accommodating gaps of up to 20mm.



Planet KG-S Narrow

Planet KG-S Narrow Drop Seal



SYSTEM SPECIFICATIONS

Key benefits

- ▶ For new and existing doors.
- ▶ Unilateral and silent actuation.
- ▶ No scraping / trailing on the floor, thanks to parallel drop.
- ▶ High-quality silicone lip, lateral protrusion adjustable.
- ▶ Can be shortened to the next smaller stock length.

Characteristics

- ▶ Suitable for use on glass, timber, metal & PVC doors.
- ▶ Sound absorption level up to 48dB (at ground air 7 mm).

Possible door types (depending on options)

- ▶ Single swing doors, double swing doors, sliding doors.

Profile size

- ▶ 11.5mm x 38mm.

Max drop height

- ▶ 16mm.

Profile material

- ▶ Aluminium.

Seal material

- ▶ **Planet KG-S narrow RD:** High-quality silicone.
- ▶ **Planet KG-S narrow FH+RD:** High-quality self-extinguishing silicone with aluminium carrier.
- ▶ Bevel lip available for uneven floors (Left-handed or right-handed variants).

Adjustment

- ▶ Self-levelling on uneven surfaces.
- ▶ Automatic compensation of sloped floors.
- ▶ Easy drop height adjustment.
- ▶ Door bottom can be adjusted without seal removal.

Drop height adjustment

- ▶ Using 3mm allen key.

Standard lengths

- ▶ 459mm, 584mm, 709mm, 834mm, 959mm, 1084mm, 1209mm, 1334mm, 1459mm.
- ▶ Note: Each length can be cut back by 125mm.
- ▶ Sizes up to 6m are available to special order.

Fixing

- ▶ Glued to the side with VHB adhesive tape or silicon or UV.

Accessories (supplied)

- ▶ Planet stopping plate, type 1 (stainless steel) and cover plate.

Finishes

- ▶ Silver anodised EV1 as standard.
- ▶ Matt anodised stainless steel (INOX) or black C35 matt anodised or special colours powder coated (RAL / DB / NCS) to special order.

Planet KG-A8 Narrow

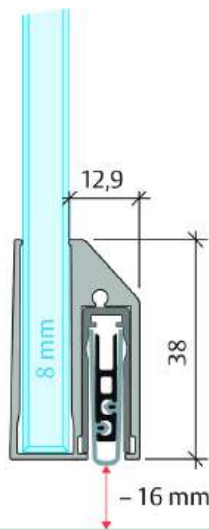
FACE-FIXED



48dB

A slimline, face-fixed automatic drop seal designed for 8mm glass doors. Its narrow 12.9mm profile makes it ideal for minimalistic applications. Featuring a high-efficiency mechanism with a single-sided trigger, it enables parallel lowering and automatic compensation for sloping floors. Provides sound absorption of up to 48dB, with a drop height of up to 16mm. A durable silicone lip ensures reliable sealing. Designed for both adhesive and mechanical fixing. An optional bevel lip is available for uneven floors, accommodating gaps of up to 20mm.

DROP SEALS - GLASS DOORS



Planet KG-A8 Narrow

Planet KG-A8 Narrow Drop Seal



SYSTEM SPECIFICATIONS

Key benefits

- ▶ Elegant architectural design solution.
- ▶ For new and existing doors.
- ▶ Unilateral and silent actuation.
- ▶ No scraping / trailing on the floor, thanks to parallel drop.
- ▶ High-quality silicone lip, lateral protrusion adjustable.
- ▶ Can be shortened to the next smaller stock length.

Characteristics

- ▶ Suitable for single and double-leaf glass doors with 8mm glass thickness.
- ▶ Sound absorption level up to 48dB (at ground air 7 mm).

Possible door types (depending on options)

- ▶ Single swing doors, double swing doors, sliding doors.

Profile size

- ▶ 11.5mm x 38mm.

Max drop height

- ▶ 16mm.

Profile material

- ▶ Aluminium.

Seal material

- ▶ **Planet KG-A8 RD:** High-quality silicone.
- ▶ **Planet KG-A8 FH+RD:** High-quality self-extinguishing silicone with aluminium carrier.
- ▶ Bevel lip available for uneven floors (Left-handed or right-handed variants).

Adjustment

- ▶ Self-levelling on uneven surfaces.
- ▶ Automatic compensation of sloped floors.
- ▶ Easy drop height adjustment.
- ▶ Door bottom can be adjusted without seal removal.

Drop height adjustment

- ▶ Using 3mm allen key.

Standard lengths

- ▶ 459mm, 584mm, 709mm, 834mm, 959mm, 1084mm, 1209mm, 1334mm, 1459mm.
- ▶ Note: Each length can be cut back by 125mm.
- ▶ Sizes up to 6m are available to special order.

Fixing

- ▶ Glued to the side with VHB adhesive tape (supplied) or silicone, or UV.

Accessories (supplied)

- ▶ Planet stopping plate, type 1 (stainless steel) and cover plate.

Finishes

- ▶ Silver anodised EV1 as standard.
- ▶ Matt anodised stainless steel (INOX) or special colours powder coated (RAL / DB / NCS) to special order.

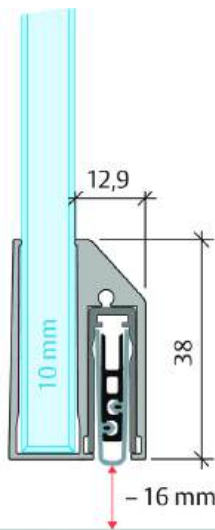
Planet KG-A10 Narrow

FACE-FIXED



48dB

A slimline, face-fixed automatic drop seal designed for 10mm glass doors. Its narrow 12.9mm profile makes it ideal for minimalistic applications. Featuring a high-efficiency mechanism with a single-sided trigger, it enables parallel lowering and automatic compensation for sloping floors. Provides sound absorption of up to 48dB, with a drop height of up to 16mm. A durable silicone lip ensures reliable sealing. Designed for both adhesive and mechanical fixing. An optional bevel lip is available for uneven floors, accommodating gaps of up to 20mm.



Planet KG-A10 Narrow

Planet KG-A10 Narrow Drop Seal



SYSTEM SPECIFICATIONS

Key benefits

- ▶ Elegant architectural design solution.
- ▶ For new and existing doors.
- ▶ Unilateral and silent actuation.
- ▶ No scraping / trailing on the floor, thanks to parallel drop.
- ▶ High-quality silicone lip, lateral protrusion adjustable.
- ▶ Can be shortened to the next smaller stock length.

Characteristics

- ▶ Suitable for single and double-leaf glass doors with 10mm glass thickness.
- ▶ Sound absorption level up to 48dB (at ground air 7 mm).

Possible door types (depending on options)

- ▶ Single swing doors, double swing doors, sliding doors.

Profile size

- ▶ 11.5mm x 38mm.

Max drop height

- ▶ 16mm.

Profile material

- ▶ Aluminium.

Seal material

- ▶ **Planet KG-A10 RD:** High-quality silicone.
- ▶ **Planet KG-A10 FH+RD:** High-quality self-extinguishing silicone with aluminium carrier.
- ▶ Bevel lip available for uneven floors (Left-handed or right-handed variants).

Adjustment

- ▶ Self-levelling on uneven surfaces.
- ▶ Automatic compensation of sloped floors.
- ▶ Easy drop height adjustment.
- ▶ Door bottom can be adjusted without seal removal.

Drop height adjustment

- ▶ Using 3mm allen key.

Standard lengths

- ▶ 459mm, 584mm, 709mm, 834mm, 959mm, 1084mm, 1209mm, 1334mm, 1459mm.
- ▶ Note: Each length can be cut back by 125mm.
- ▶ Sizes up to 6m are available to special order.

Fixing

- ▶ Glued to the side with VHB adhesive tape (supplied) or silicone, or UV.

Accessories (supplied)

- ▶ Planet stopping plate, type 1 (stainless steel) and cover plate.

Finishes

- ▶ Silver anodised EV1 as standard.
- ▶ Matt anodised stainless steel (INOX) or special colours powder coated (RAL / DB / NCS) to special order.

Planet KG-A12 Narrow

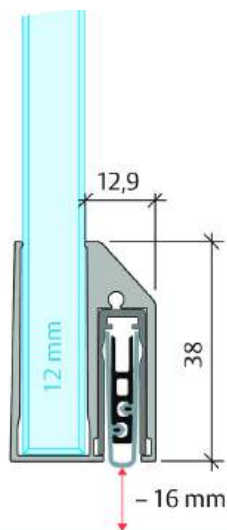
FACE-FIXED



48dB

A slimline, face-fixed automatic drop seal designed for 12mm glass doors. Its narrow 12.9mm profile makes it ideal for minimalistic applications. Featuring a high-efficiency mechanism with a single-sided trigger, it enables parallel lowering and automatic compensation for sloping floors. Provides sound absorption of up to 48dB, with a drop height of up to 16mm. A durable silicone lip ensures reliable sealing. Designed for both adhesive and mechanical fixing. An optional bevel lip is available for uneven floors, accommodating gaps of up to 20mm.

DROP SEALS - GLASS DOORS



Planet KG-A12 Narrow Drop Seal



Planet KG-A12 Narrow



SYSTEM SPECIFICATIONS

Key benefits

- ▶ Elegant architectural design solution.
- ▶ For new and existing doors.
- ▶ Unilateral and silent actuation.
- ▶ No scraping / trailing on the floor, thanks to parallel drop.
- ▶ High-quality silicone lip, lateral protrusion adjustable.
- ▶ Can be shortened to the next smaller stock length.

Characteristics

- ▶ Suitable for single and double-leaf glass doors with 12mm glass thickness.
- ▶ Sound absorption level up to 48dB (at ground air 7 mm).

Possible door types (depending on options)

- ▶ Single swing doors, double swing doors, sliding doors.

Profile size

- ▶ 11.5mm x 38mm.

Max drop height

- ▶ 16mm.

Profile material

- ▶ Aluminium.

Seal material

- ▶ **Planet KG-A12 RD:** High-quality silicone.
- ▶ **Planet KG-A12 FH+RD:** High-quality self-extinguishing silicone with aluminium carrier.
- ▶ Bevel lip available for uneven floors (Left-handed or right-handed variants).

Adjustment

- ▶ Self-levelling on uneven surfaces.
- ▶ Automatic compensation of sloped floors.
- ▶ Easy drop height adjustment.
- ▶ Door bottom can be adjusted without seal removal.

Drop height adjustment

- ▶ Using 3mm allen key.

Standard lengths

- ▶ 459mm, 584mm, 709mm, 834mm, 959mm, 1084mm, 1209mm, 1334mm, 1459mm.
- ▶ Note: Each length can be cut back by 125mm.
- ▶ Sizes up to 6m are available to special order.

Fixing

- ▶ Glued to the side with VHB adhesive tape (supplied) or silicone, or UV.

Accessories (supplied)

- ▶ Planet stopping plate, type 1 (stainless steel) and cover plate.

Finishes

- ▶ Silver anodised EV1 as standard.
- ▶ Matt anodised stainless steel (INOX) or special colours powder coated (RAL / DB / NCS) to special order.



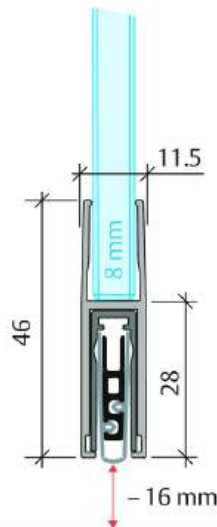
Planet KG-F8 Narrow

FACE-FIXED



48dB

A slimline, face-fixed automatic drop seal designed to be mounted beneath 8mm glass doors. Featuring a high-efficiency mechanism with a single-sided trigger, it enables parallel lowering and automatic compensation for sloping floors. Provides sound absorption of up to 48dB, with a drop height of up to 16mm. A durable silicone lip ensures reliable sealing. An optional bevel lip is available for uneven floors, accommodating gaps of up to 20mm.



Planet KG-F8 Narrow Drop Seal



Planet KG-F8 Narrow



DROP SEALS - GLASS DOORS

SYSTEM SPECIFICATIONS

Key benefits

- ▶ Elegant architectural design solution.
- ▶ For new and existing doors.
- ▶ Unilateral and silent actuation.
- ▶ No scraping / trailing on the floor, thanks to parallel drop.
- ▶ High-quality silicone lip, lateral protrusion adjustable.
- ▶ Can be shortened to the next smaller stock length.

Characteristics

- ▶ Suitable for single and double-leaf glass doors with 8mm glass thickness.
- ▶ Sound absorption level up to 48dB (at ground air 7 mm).

Possible door types (depending on options)

- ▶ Single swing doors, double swing doors, sliding doors.

Profile size

- ▶ 11.5mm x 46mm.

Max drop height

- ▶ 16mm.

Profile material

- ▶ Aluminium.

Seal material

- ▶ **Planet KG-F8 RD:** High-quality silicone.
- ▶ **Planet KG-F8 FH+RD:** High-quality self-extinguishing silicone with aluminium carrier.
- ▶ Bevel lip available for uneven floors (Left-handed or right-handed variants).

Adjustment

- ▶ Self-levelling on uneven surfaces.
- ▶ Automatic compensation of sloped floors.
- ▶ Easy drop height adjustment.
- ▶ Door bottom can be adjusted without seal removal.

Drop height adjustment

- ▶ Using 3mm allen key.

Standard lengths

- ▶ 459mm, 584mm, 709mm, 834mm, 959mm, 1084mm, 1209mm, 1334mm, 1459mm.
- ▶ Note: Each length can be cut back by 125mm.
- ▶ Sizes up to 6m are available to special order.

Fixing

- ▶ Glued underneath with VHB adhesive tape or silicone, or UV.

Accessories (supplied)

- ▶ Planet stopping plate, type 1 (stainless steel) and cover plate.

Finishes

- ▶ Silver anodised EV1 as standard.
- ▶ Matt anodised stainless steel (INOX) or special colours powder coated (RAL / DB / NCS) to special order.

Planet KG-F10 Narrow

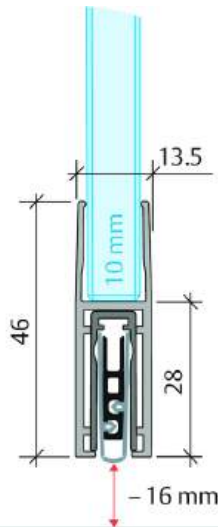
FACE-FIXED



48dB

A slimline, face-fixed automatic drop seal designed to be mounted beneath 10mm glass doors. Featuring a high-efficiency mechanism with a single-sided trigger, it enables parallel lowering and automatic compensation for sloping floors. Provides sound absorption of up to 48dB, with a drop height of up to 16mm. A durable silicone lip ensures reliable sealing. An optional bevel lip is available for uneven floors, accommodating gaps of up to 20mm.

DROP SEALS - GLASS DOORS



Planet KG-F10 Narrow

Planet KG-F10 Drop Seal



SYSTEM SPECIFICATIONS

Key benefits

- ▶ Elegant architectural design solution.
- ▶ For new and existing doors.
- ▶ Unilateral and silent actuation.
- ▶ No scraping / trailing on the floor, thanks to parallel drop.
- ▶ High-quality silicone lip, lateral protrusion adjustable.
- ▶ Can be shortened to the next smaller stock length.

Characteristics

- ▶ Suitable for single and double-leaf all-glass doors with 10mm glass thickness or laminated safety glass.
- ▶ Sound absorption level up to 48dB (at ground air 7 mm).

Possible door types (depending on options)

- ▶ Single swing doors, double swing doors, sliding doors.

Profile size

- ▶ 13.5mm x 46mm.

Max drop height

- ▶ 16mm.

Profile material

- ▶ Aluminium.

Seal material

- ▶ **Planet KG-F10 RD:** High-quality silicone.
- ▶ **Planet KG-F10 FH+RD:** High-quality self-extinguishing silicone with aluminium carrier.
- ▶ Bevel lip available for uneven floors (Left-handed or right-handed variants).

Adjustment

- ▶ Self-levelling on uneven surfaces.
- ▶ Automatic compensation of sloped floors.
- ▶ Easy drop height adjustment.
- ▶ Door bottom can be adjusted without seal removal.

Drop height adjustment

- ▶ Using 3mm allen key.

Standard lengths

- ▶ 459mm, 584mm, 709mm, 834mm, 959mm, 1084mm, 1209mm, 1334mm, 1459mm.
- ▶ Note: Each length can be cut back by 125mm.
- ▶ Sizes up to 6m are available to special order.

Fixing

- ▶ Glued underneath with VHB adhesive tape or silicone, or UV.

Accessories (supplied)

- ▶ Planet stopping plate, type 1 (stainless steel) and cover plate.

Finishes

- ▶ Silver anodised EV1 as standard.
- ▶ Matt anodised stainless steel (INOX) or special colours powder coated (RAL / DB / NCS) to special order.

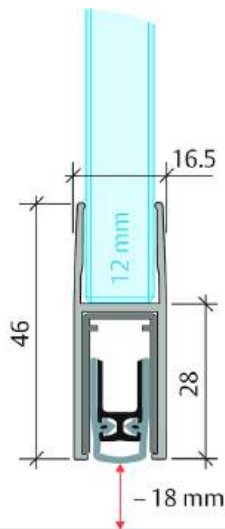
Planet KG-F12s

FACE-FIXED



48dB

A slimline, face-fixed automatic drop seal designed to be mounted beneath 12mm glass doors. Featuring a high-efficiency mechanism with a single-sided trigger, it enables parallel lowering and automatic compensation for sloping floors. Provides sound absorption of up to 48dB, with a drop height of up to 16mm. A durable silicone lip ensures reliable sealing. An optional bevel lip is available for uneven floors, accommodating gaps of up to 20mm.



Planet KG-F12s Narrow

Planet KG-F12s Narrow Drop Seal



SYSTEM SPECIFICATIONS

Key benefits

- ▶ Elegant architectural design solution.
- ▶ For new and existing doors.
- ▶ Unilateral and silent actuation.
- ▶ No scraping / trailing on the floor, thanks to parallel drop.
- ▶ High-quality silicone lip, lateral protrusion adjustable.
- ▶ Can be shortened to the next smaller stock length.

Characteristics

- ▶ Suitable for single and double-leaf all-glass doors with 12mm glass thickness or laminated safety glass.
- ▶ Sound absorption level up to 48dB (at ground air 7 mm).

Possible door types (depending on options)

- ▶ Single swing doors, double swing doors, sliding doors.

Profile size

- ▶ 16.5mm x 46mm.

Max drop height

- ▶ 16mm.

Profile material

- ▶ Aluminium.

Seal material

- ▶ **Planet KG-F12 RD:** High-quality silicone.
- ▶ **Planet KG-F12 FH+RD:** High-quality self-extinguishing silicone with aluminium carrier.
- ▶ Bevel lip available for uneven floors (Left-handed or right-handed variants).

Adjustment

- ▶ Self-levelling on uneven surfaces.
- ▶ Automatic compensation of sloped floors.
- ▶ Easy drop height adjustment.
- ▶ Door bottom can be adjusted without seal removal.

Drop height adjustment

- ▶ Using 3mm allen key.

Standard lengths

- ▶ 459mm, 584mm, 709mm, 834mm, 959mm, 1084mm, 1209mm, 1334mm, 1459mm.
- ▶ Note: Each length can be cut back by 125mm.
- ▶ Sizes up to 6m are available to special order.

Fixing

- ▶ Glued underneath with VHB adhesive tape or silicone, or UV.

Accessories (supplied)

- ▶ Planet stopping plate, type 1 (stainless steel) and cover plate.

Finishes

- ▶ Silver anodised EV1 as standard.
- ▶ Matt anodised stainless steel (INOX) or special colours powder coated (RAL / DB / NCS) to special order.

Planet KG-U

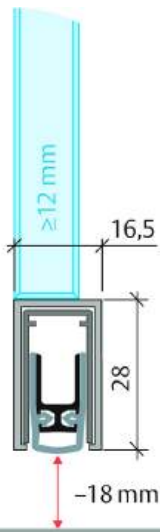
FACE-FIXED



48dB

A face-fixed automatic drop seal designed to be mounted beneath glass doors 12mm or thicker. Featuring a high-efficiency mechanism with a single-sided trigger, it enables parallel lowering and automatic compensation for sloping floors. Provides sound absorption of up to 48dB, with a drop height of up to 18mm. A durable silicone lip ensures reliable sealing. An optional bevel lip is available for uneven floors, accommodating gaps of up to 22mm.

DROP SEALS - GLASS DOORS



Planet KG-U

Planet KG-U Drop Seal



SYSTEM SPECIFICATIONS

Key benefits

- ▶ Unilateral and silent actuation.
- ▶ No scraping / trailing on the floor, thanks to parallel drop.
- ▶ High-quality silicone lip, lateral protrusion adjustable.
- ▶ Can be shortened to the next smaller stock length.

Characteristics

- ▶ Suitable for single-leaf and double-leaf all-glass doors from 12mm glass thickness.
- ▶ Sound absorption level up to 48dB (at ground air 7 mm).

Possible door types (depending on options)

- ▶ Single swing doors, double swing doors, sliding doors, folding doors.

Profile size

- ▶ 16.5mm x 28mm.

Max drop height

- ▶ 18mm.

Profile material

- ▶ Aluminium.

Seal material

- ▶ **Planet KG-U RD:** High-quality silicone.
- ▶ **Planet KG-U FH+RD:** High-quality self-extinguishing silicone with aluminium carrier.
- ▶ Bevel lip available for uneven floors (Left-handed or right-handed variants).

Adjustment

- ▶ Self-levelling on uneven surfaces.
- ▶ Automatic compensation of sloped floors.
- ▶ Easy drop height adjustment.
- ▶ Door bottom can be adjusted without seal removal.

Drop height adjustment

- ▶ Using 3mm allen key.

Standard lengths

- ▶ 459mm, 584mm, 709mm, 834mm, 959mm, 1084mm, 1209mm, 1334mm, 1459mm.
- ▶ Note: Each length can be cut back by 125mm.
- ▶ Sizes up to 6m are available to special order.

Fixing

- ▶ Glued underneath with VHB adhesive tape or silicone, or UV.

Accessories (supplied)

- ▶ Planet stopping plate, type 1 (stainless steel) and cover plate.

Finishes

- ▶ Silver anodised EV1 as standard.
- ▶ Matt anodised stainless steel (INOX) or special colours powder coated (RAL / DB / NCS) to special order.



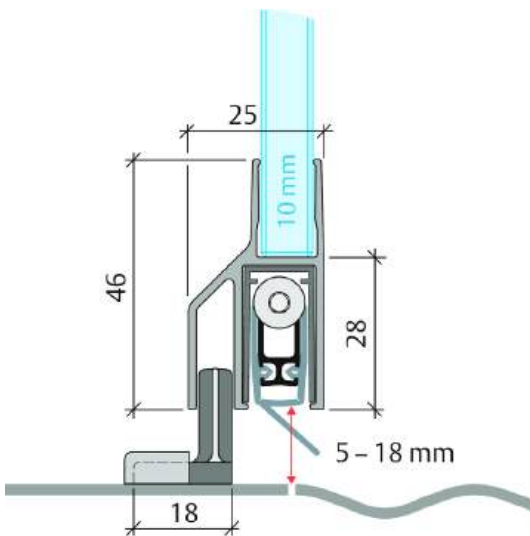
Planet KG-SL10

FACE-FIXED



44dB

An automatic drop seal designed for 10mm glass sliding doors. Featuring a high-efficiency mechanism with a single-sided trigger, it enables parallel lowering and automatic compensation for sloping floors. Provides sound absorption of up to 44dB, with a drop height of up to 18mm. A durable silicone lip ensures reliable sealing. An optional bevel lip is available for uneven floors, accommodating gaps of up to 22mm.



Planet KG-SL10

DROP SEALS - GLASS DOORS

Planet KG-SL10



SYSTEM SPECIFICATIONS

Key benefits

- ▶ Unilateral and silent actuation.
- ▶ No scraping / trailing on the floor, thanks to parallel drop.
- ▶ High-quality silicone lip, lateral protrusion adjustable.
- ▶ Plan in door locking mechanism (hook latch or roller retainer).
- ▶ Can be shortened to the next smaller stock length.

Characteristics

- ▶ Air flow 30m³/h at ventilation length 1050 mm and pressure difference of 3.9 Pa.
- ▶ Suitable for single and double-leaf sliding glass doors with 10mm glass thickness.
- ▶ Sound absorption level up to 44dB (at ground air 7 mm).

Possible door types (depending on options)

- ▶ Single and double-leaf sliding glass doors.

Profile size

- ▶ 25mm x 46mm.

Max drop height

- ▶ 5mm - 18mm.

Profile material

- ▶ Aluminium.

Seal material

- ▶ **Planet KG-SL10 RD:** High-quality silicone.
- ▶ **Planet KG-SL10 FH+RD:** High-quality self-extinguishing silicone with aluminium carrier.
- ▶ Bevel lip available for uneven floors (Left-handed or right-handed variants).

Adjustment

- ▶ Self-levelling on uneven surfaces.
- ▶ Automatic compensation of sloped floors.
- ▶ Easy drop height adjustment.
- ▶ Door bottom can be adjusted without seal removal.

Drop height adjustment

- ▶ Using 3mm allen key.

Standard lengths

- ▶ 459mm, 584mm, 709mm, 834mm, 959mm, 1084mm, 1209mm, 1334mm, 1459mm.
- ▶ Note: Each length can be cut back by 125mm.
- ▶ Sizes up to 6m are available to special order.

Fixing

- ▶ Glued underneath with VHB adhesive tape or silicone, or UV.

Accessories (supplied)

- ▶ Planet stopping plate, type 1 (stainless steel) and cover plate.

Finishes

- ▶ Silver anodised EV1 as standard.
- ▶ Matt anodised stainless steel (INOX) or special colours powder coated (RAL / DB / NCS) to special order.



EXTERIOR DOORS

Drop seals designed for exterior doors. Fitting to the bottom of the door, they drop automatically when the door closes to create an effective seal.

A spring-loaded mechanism, requiring no power, ensures easy door operation and effective sealing when closed.



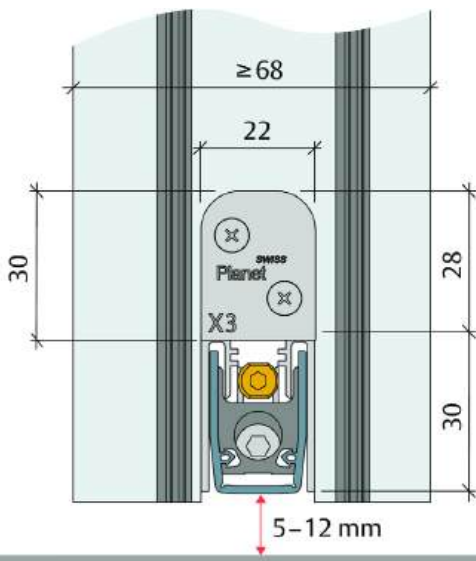
Planet X3

MORTISED



52dB

A mortised automatic drop seal designed for exterior doors made of timber, metal, or PVC. Engineered for high-performance weather protection, it is driving rain-proof (7A/9A, ift certified) without requiring a drainage channel. Featuring a high-efficiency mechanism with hinge-side triggering, it provides three sealing movements—downwards, to the left, and to the right—each individually adjustable. Drop height adjustable between 5–12mm, with a side lift of 2–6mm. Durable silicone lip for reliable sealing.



Planet X3



DROP SEAL - EXTERIOR DOORS

Planet X3 Drop Seal

SYSTEM SPECIFICATIONS

Key benefits

- ▶ High-quality silicone gasket.
- ▶ Three sealing movements simultaneously.
- ▶ Barrier free.
- ▶ Can be shortened to the next smaller stock length.

Characteristics

- ▶ Suitable for use on metal, timber & PVC doors.
- ▶ Driving rain proof (7A/9A, ift certified), no drainage channel required.
- ▶ Sound absorption level up to 50dB (at ground air 7 mm).

Possible door types (depending on options)

- ▶ Single swing doors, double swing doors, sliding doors, folding doors.
- ▶ Minimum door thickness 68mm.

Profile size

- ▶ 22mm x 30mm.

Groove size

- ▶ 22.5mm wide x 30–32mm deep.

Max drop

- ▶ 5–12mm (height).
- ▶ 2–6mm (side lift).

Profile material

- ▶ Aluminium.

Seal material

- ▶ High-quality silicone.

Adjustment

- ▶ Self-levelling on uneven surfaces.
- ▶ Automatic compensation of sloped floors.
- ▶ Easy drop height & side adjustment.
- ▶ Door bottom can be adjusted without seal removal.

Drop height adjustment

- ▶ Using 3mm allen key for side lift adjustment (2–6mm). Front side adjustment with 4mm allen key.

Standard lengths

- ▶ 835mm, 960mm, 1085mm, 1210mm, 1335mm, 1460mm.
- ▶ Note: Each length can be cut back by 125mm.
- ▶ Sizes up to 6m are available to special order.

Fixing

- ▶ Fixing with mounting bracket and self-tapping screws on the side.

Accessories (supplied)

- ▶ Planet assembly set X3 for wooden doors with 2 mounting brackets (stainless steel), 4 screws, version Planet X3 shortenable: incl. Planet shortening set X3 with quick clamping system

Finishes

- ▶ Silver as standard.



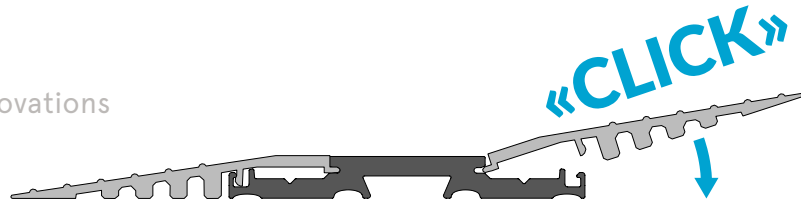
Planet F-Click Threshold Plates

THRESHOLD PLATES - EXTERIOR DOORS

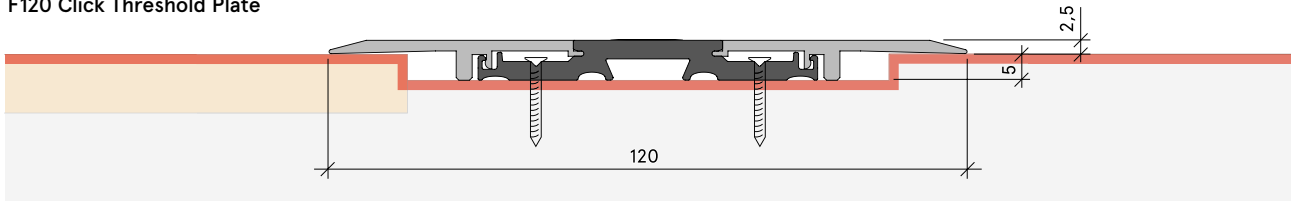
The Planet F Click Threshold range offers a modular, thermally insulated solution for seamless transitions between indoor and outdoor spaces. Designed for both new builds and renovations, these thresholds provide a true zero-step design, ensuring accessibility and safety. The innovative click system allows for easy installation, while the invisible screw connection maintains a clean finish. Optimised for use with Planet drop seals, they create a highly effective sealing surface.

Key benefits

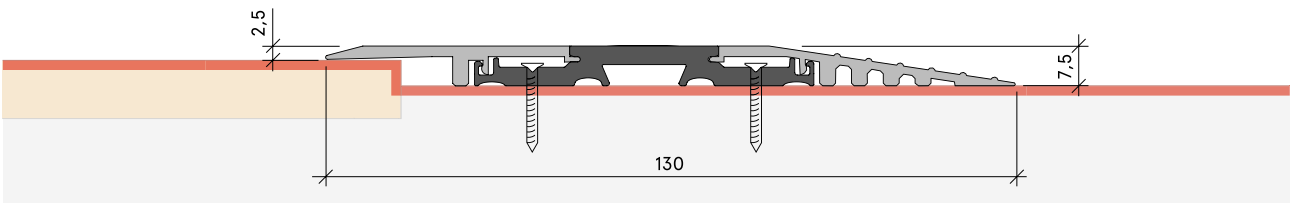
- ▶ No step to trip over
- ▶ Simple click-system
- ▶ Perfect for new builds & renovations
- ▶ Invisible screw connection
- ▶ Thermal separation.



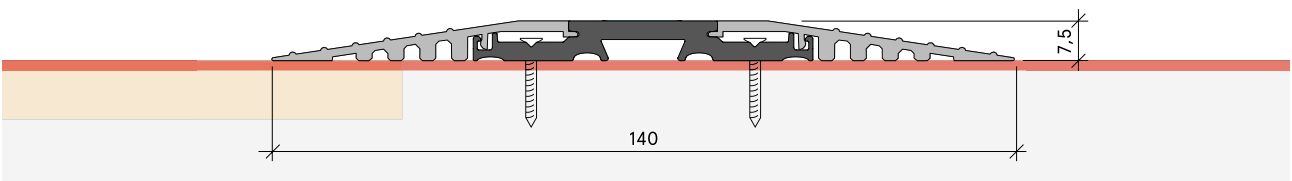
F120 Click Threshold Plate



F130 Click Threshold Plate



F140 Click Threshold Plate

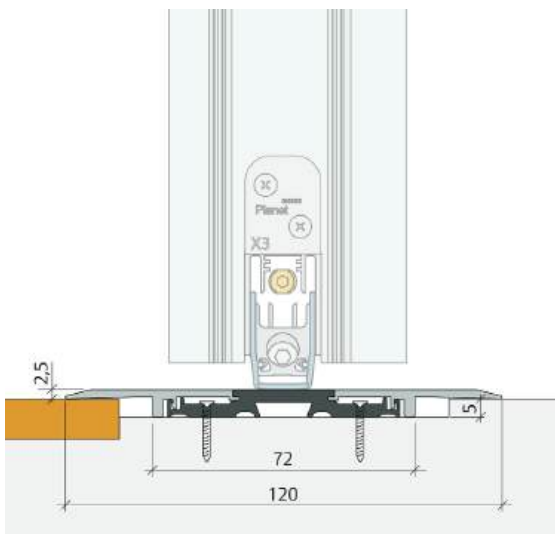


Planet F120

CLICK THRESHOLD PLATE



A thermally separated, modular threshold plate designed for seamless, barrier-free transitions. The Planet F120 Click threshold provides an optimal connection between interior and exterior spaces with an ultra-low 5mm floor recess. Its robust, traversable design features an invisible screw connection for a clean finish and effortless installation via screwing or gluing. The innovative click system allows for easy profile replacement, while its compatibility with Planet drop seals ensures a secure, adaptable sealing surface. When paired with the Planet X3, it offers certified protection against driving rain.



Planet F120

Planet F120 Click Threshold

SYSTEM SPECIFICATIONS

Key benefits

- ▶ Extremely flat, ideal for new builds (also suitable for renovation).
- ▶ Floor recess only 5mm.
- ▶ Invisible screw connection.
- ▶ In combination with Planet X3, guaranteed driving rain proof.

Possible door types (depending on options)

- ▶ Single and double swing doors.

Profile size

- ▶ 120mm wide.

Threshold height

- ▶ 2.5mm.

Floor recess

- ▶ 5mm.

Profile material

- ▶ Aluminium and plastic.

Standard lengths

- ▶ 1190mm.
- ▶ Sizes up to 6m are available to special order.

Fixing

- ▶ Screws or glue.

Accessories (supplied)

- ▶ Planet assembly set for Planet F click thresholds (F120, F130, F140).

Finishes

- ▶ Silver anodised EV1.

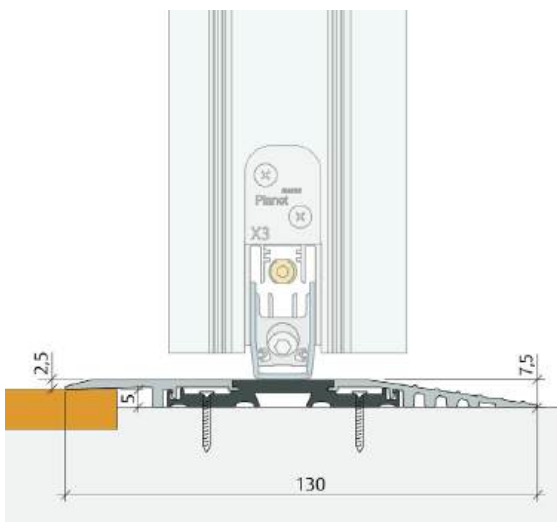
Planet F130

CLICK THRESHOLD PLATE



A thermally separated, modular threshold plate for seamless, barrier-free transitions. The Planet F130 Click Threshold is ideal for levelling stepped floors, with a height of 7.5mm on one side and 2.5mm on the other. Its robust, traversable design features an invisible screw connection for a clean finish and easy installation via screwing or gluing. The innovative click system allows for quick profile replacement, while compatibility with Planet drop seals ensures a secure sealing surface. When paired with the Planet X3, it provides certified protection against driving rain.

THRESHOLD PLATES - EXTERIOR DOORS



Planet F130

Planet F130 Click Threshold

SYSTEM SPECIFICATIONS

Key benefits

- ▶ Extremely flat, ideal for new builds (also suitable for renovation).
- ▶ Optimal transition between inside and outside.
- ▶ Barrier free due to reduced height.
- ▶ Invisible screw connection.
- ▶ In combination with Planet X3, guaranteed driving rain proof.

Possible door types (depending on options)

- ▶ Single and double swing doors.

Profile size

- ▶ 130mm wide.

Threshold height

- ▶ 7.5mm.

Profile material

- ▶ Aluminium and plastic.

Standard lengths

- ▶ 1190mm.
- ▶ Sizes up to 6m are available to special order.

Fixing

- ▶ Screws or glue.

Accessories (supplied)

- ▶ Planet assembly set for Planet F click thresholds (F120, F130, F140).

Finishes

- ▶ Silver anodised EV1.

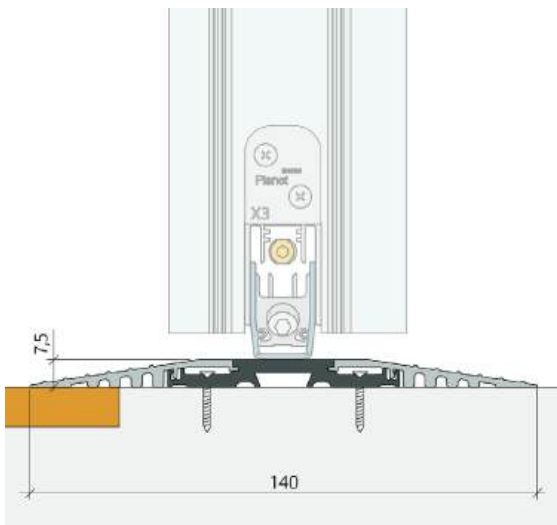


Planet F140

CLICK THRESHOLD PLATE



A thermally separated, modular threshold plate for seamless, barrier-free transitions. The Planet F140 Click Threshold is ideal for renovations, creating a smooth connection between interior and exterior spaces without requiring a floor recess. Its robust, traversable design features an invisible screw connection for a clean finish and easy installation via screwing or gluing. The innovative click system allows for quick profile replacement, while compatibility with Planet drop seals ensures a secure sealing surface. With a 7.5mm threshold height, it provides a practical, surface-mounted solution for both new builds and renovations. When paired with the Planet X3, it offers certified protection against driving rain.



Planet F140

Planet F140 Click Threshold

SYSTEM SPECIFICATIONS

Key benefits

- ▶ Ideal for renovations and new builds.
- ▶ No floor recess required.
- ▶ Invisible screw connection.
- ▶ In combination with Planet X3, guaranteed driving rain proof.

Possible door types (depending on options)

- ▶ Single and double swing doors.

Profile size

- ▶ 120mm wide.

Threshold height

- ▶ 7.5mm.

Profile material

- ▶ Aluminium and plastic.

Standard lengths

- ▶ 1190mm.
- ▶ Sizes up to 6m are available to special order.

Fixing

- ▶ Screws or glue.

Accessories (supplied)

- ▶ Planet assembly set for Planet F click thresholds (F120, F130, F140).

Finishes




- ▶ Silver anodised EV1.



Accessories

OPTIONAL

DROP SEALS - EXTERIOR DOORS

	Type	Size	Use with
	Corner plate set X3, sheet metal (stainless steel) Type 1	29mm x 55mm, 1mm thick	Planet X3
	Stopping plate Type 6	13mm x 24mm incl. screws	Planet X3
	Planet shortening aid X3	-	Planet X3



▼ SLIDING DOORS

Drop seals designed for sliding doors. Fitting to the bottom of the door, they drop automatically when the door closes to create an effective seal.

A spring-loaded mechanism, requiring no power, ensures easy door operation and effective sealing when closed.

Planet SN

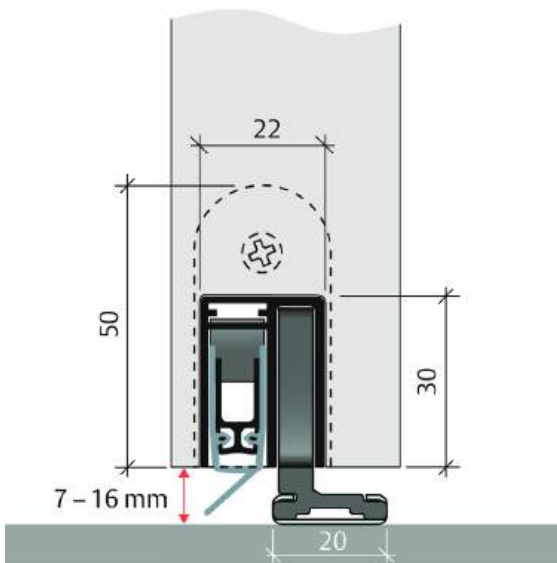
MORTISED



44dB

A complete sealing solution for sliding doors. Designed for smooth, zero-force release, it eliminates the need for a lock or holding device. Its compact, space-saving design ensures seamless operation, while the high-efficiency mechanism enables parallel lowering and automatic compensation for sloping floors. With optimal sealing, it achieves an acoustic insulation value of up to 44dB. Provides a seal height of 7–16mm, with adjustable lateral protrusion for a precise fit.

DROP SEALS - SLIDING DOORS



Planet SN

Planet SN Drop Seal



SYSTEM SPECIFICATIONS

Key benefits

- ▶ Optional: Floor guide set SN long for sliding doors running in the wall.
- ▶ Release force only 1N/m.
- ▶ Compact, space-saving solution with integrated floor guide groove.
- ▶ Automatic compensation of sloped floors.
- ▶ Seal can be easily removed by loosening the mounting brackets.
- ▶ Can be shortened to the next smaller stock length.

Characteristics

- ▶ Suitable for sliding doors.
- ▶ Sound absorption level up to 44dB (at ground air 7 mm).

Possible door types (depending on options)

- ▶ Single sliding doors. double sliding doors.

Profile size

- ▶ 22mm x 30mm.

Groove size

- ▶ 22.3mm wide x 30.5–35mm deep.

Max drop height

- ▶ 7mm–16mm.

Profile material

- ▶ Aluminium.

Seal material

- ▶ High-quality silicone.
- ▶ Bevel lip for uneven floors (Left-handed or right-handed variants).

Adjustment

- ▶ Self-levelling on uneven surfaces.
- ▶ Automatic compensation of sloped floors.
- ▶ Easy drop height adjustment.
- ▶ Door bottom can be adjusted without seal removal.

Drop height adjustment

- ▶ Using 3mm allen key.

Standard lengths

- ▶ 800mm, 925mm, 1050mm, 1175mm, 1300mm, 1425mm, 1550mm, 1675mm.
- ▶ Note: Each length can be cut back by 125mm (+ max. 45 mm release side).
- ▶ Effective seal length: ordered dimension (Y) -5 mm (suitable for sliding door width).
- ▶ Sizes up to 6m are available to special order.

Fixing

- ▶ Fixing with mounting bracket and self-tapping screws on the side.

Accessories (supplied)





- ▶ Planet floor guide set SN, short, DIN R or DIN L, for ground air 7–10 / 10–13 / 13–16mm, Planet assembly set SN, DIN R or DIN L.

Finishes

- ▶ Silver as standard.

Accessories

OPTIONAL

	Type	Detail	Use with
	<p>Floor guide SN set (short), black, DIN R (right closing)</p>	<p>For ground air 7-10 / 10-13 / 13-16mm</p>	<p>Planet SN</p>
	<p>Floor guide SN set (short), black, DIN L (left closing)</p>	<p>For ground air 7-10 / 10-13 / 13-16mm</p>	<p>Planet SN</p>
	<p>Planet assembly set SN), black, for wooden doors, DIN R (right closing)</p>	<p>-</p>	<p>Planet SN</p>
	<p>Planet assembly set SN, black, for wooden doors, DIN L (left closing)</p>	<p>-</p>	<p>Planet SN</p>



PIVOT DOORS

Drop seals designed for pivot doors. Fitting to the bottom of the door, they drop automatically when the door closes to create an effective seal.

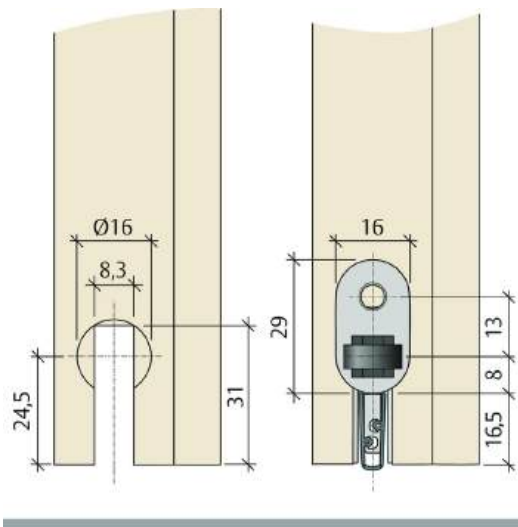
A spring-loaded mechanism, requiring no power, ensures easy door operation and effective sealing when closed.

Planet US Pivot Module Set

MORTISED


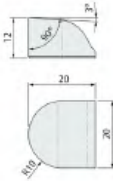

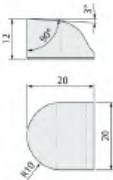



A complete sealing solution for rebated pivot doors, combining the Planet US drop seal with the Planet US pivot module. Designed for both top and bottom installation, it features a force-decoupled housing for enhanced durability and a silent release mechanism for smooth, low-resistance operation. Its ultra-narrow 8mm profile allows installation in slim pivot door leaves, while the high-efficiency mechanism enables parallel lowering and automatic compensation for sloping floors. Provides a seal height of up to 20mm for reliable performance in demanding applications.



Planet Pivot

Planet Pivot Drop Seal

Optional accessories	Type	Detail	Use with
	Planet pivot ramp: stainless steel		Planet Pivot
	Planet pivot ramp: black		Planet Pivot
	Planet pivot drill template		Planet Pivot

DROP SEALS FOR UNEVEN FLOORS

Appropriate for single and double leaf folding doors made from wood, aluminum, plastic and metal as well as sliding doors and bi-fold doors.

For uneven floors

- ▶ Planet RH, RF & RF with cover plate.
- ▶ All Planet drop seals with optional bevel lip.



For sloping floors

- ▶ All Planet drop seals with a round or bevel lip.



For concave & convex floors

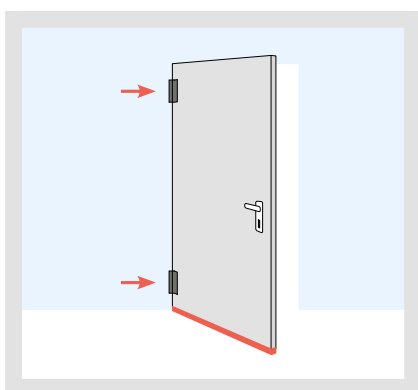
- ▶ Planet RH, RF & RF with cover plate.
- ▶ All Planet drop seals with optional bevel lip.



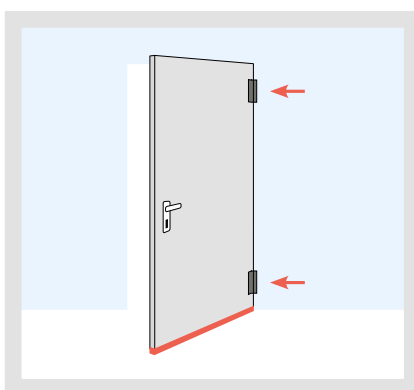
UNDERSTANDING DIN DIRECTION

Understanding DIN door directions is essential for selecting the right drop seal. This guide explains the DIN classification for single-leaf doors, and sliding doors, helping you determine whether a door is DIN L (right-handed) or DIN R (left-handed) based on its hinge or closing direction.

Single leaf doors, hinged

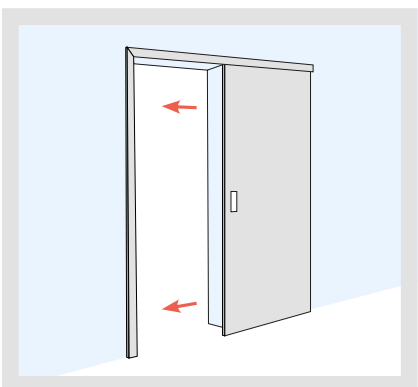


Door hinges left
= **DIN L (right-handed)**

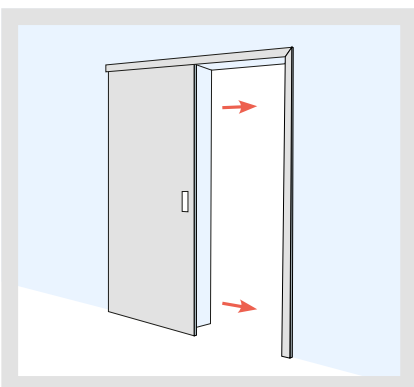


Door hinges right
= **DIN R (left-handed)**

Sliding doors

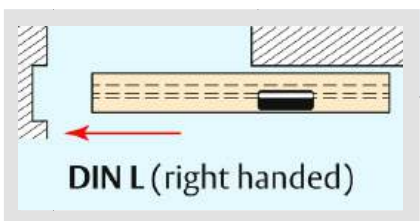


Sliding door closing to the left
= **DIN L (right-handed)**

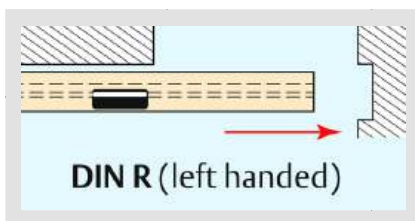


Sliding door closing to the right
= **DIN R (right-handed)**

Sliding doors



Sliding door closing to the left
= **DIN L**



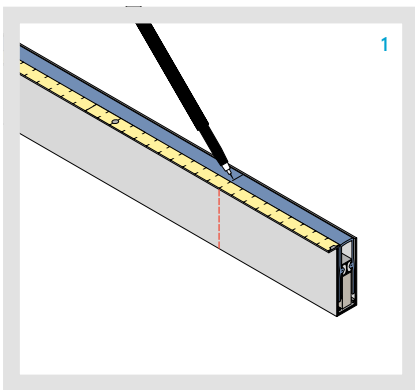
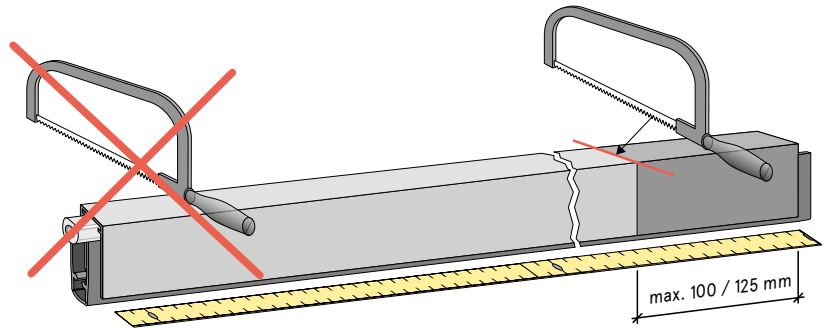
Sliding door closing to the right
= **DIN R**

HOW TO SHORTEN PLANET DROP SEALS

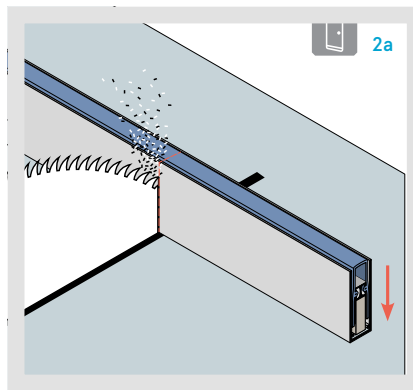
Planet drop seals can be easily shortened to fit your door, with specified maximum cut-back lengths for each model.

Max. cut back	Drop seals
Max. 100mm	Planet FT, RF
Max. 125mm	Planet HS, RH, KG, MF, RO, PU, SL

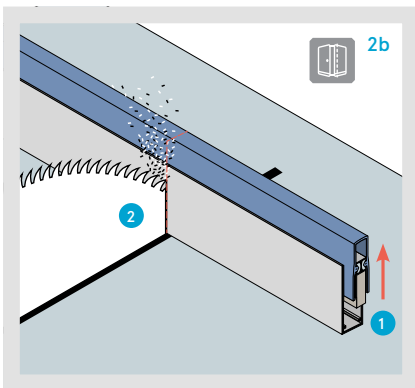
▶ Never shorten from the button side.



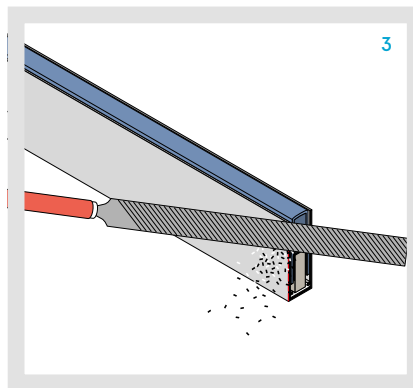
Mark the location of cut.



Single-wing applications: Shorten with circular hand saw.



Double-wing applications or a small fold air on lock side: Shorten the seal in released condition.

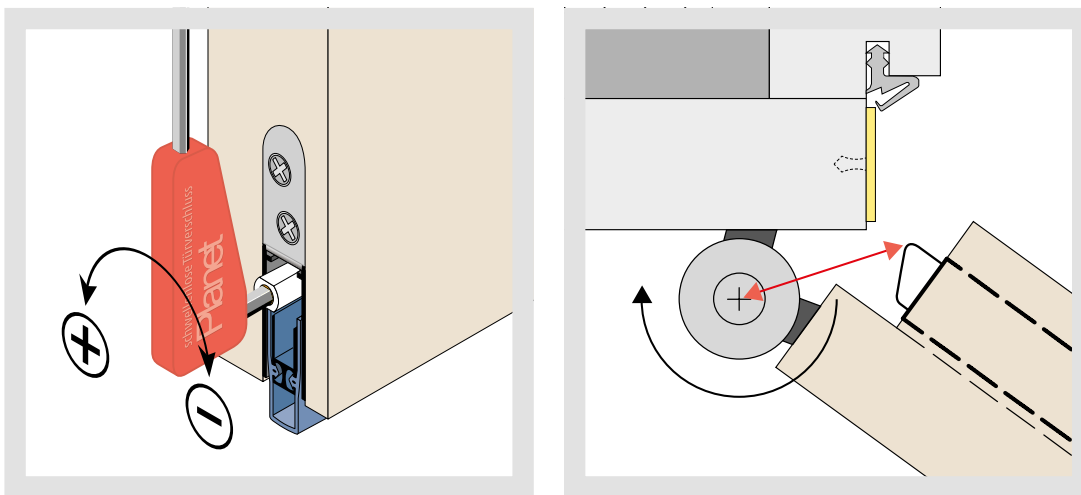


Deburr the edges and remove the sawdust.

DROP HEIGHT ADJUSTMENTS

Planet drop seals are supplied with an allen key for quick and easy adjustment of the drop height. By turning the release button, you can precisely increase or decrease the gasket drop to achieve an optimal seal.

The release button should always be positioned on the hinge side for double-leaf and folding doors, and on the lock side for sliding doors.



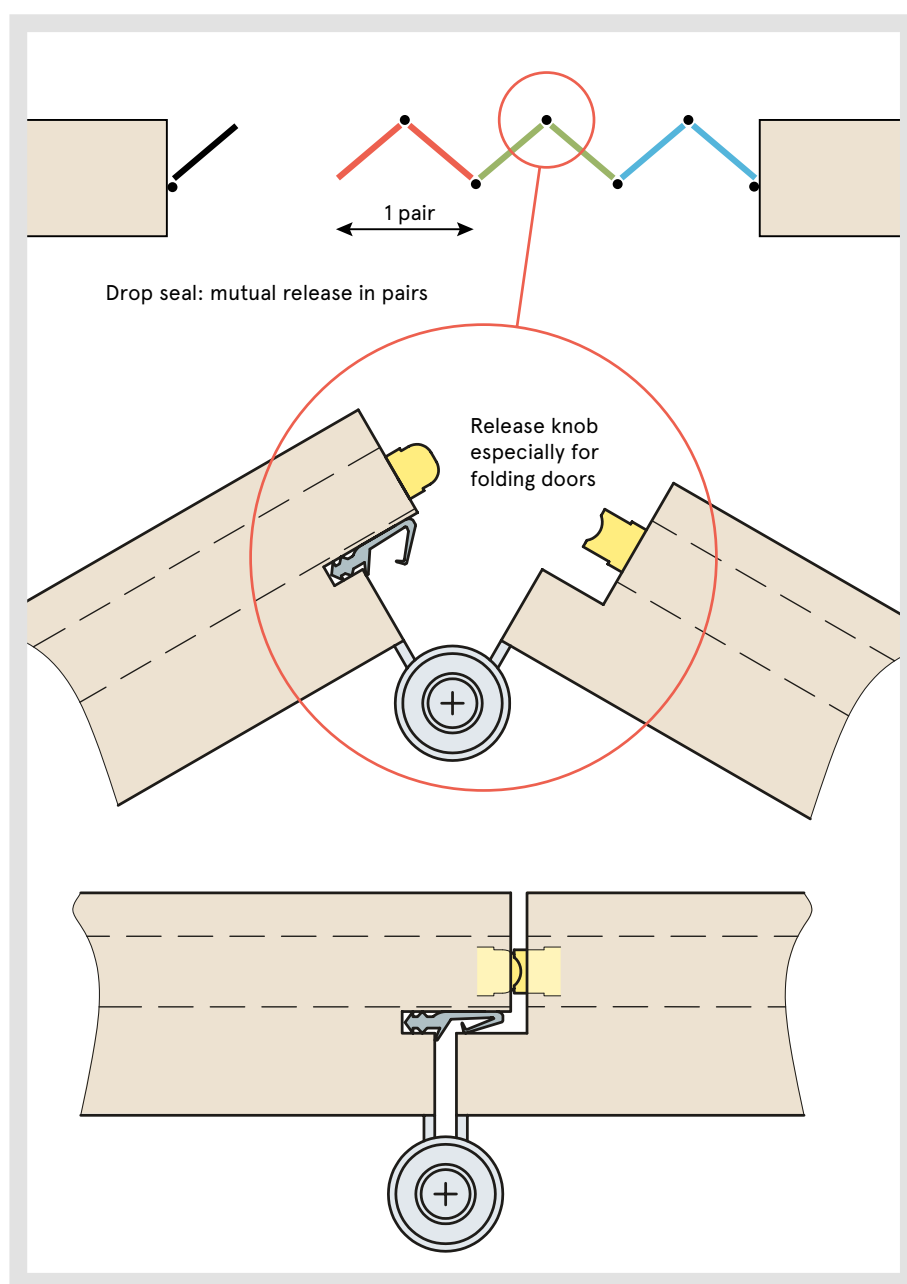
- ⊕ Increase drop height, larger floor gap
- ⊖ Decrease drop height, smaller floor gap

Correct final position of the release button, the pin is away from the hinge pivot.

Adjust the drop height until the silicone gasket forms a firm seal against the floor when the door is closed. Avoid applying excessive pressure to the floor. If the bottom gap is completely light-tight, you have achieved maximum noise insulation.

DROP SEALS FOR FOLDING DOORS

Many Planet drop seals are suitable for folding doors. The example below uses two Planet HS drop seals.



Execution:

GG is available for almost all Planet drop seals (Planet FT, HS a.s.o.), in pairs with mutual drop height release, the running wing in the frame.

Order Specification:

Number of pairs with lengths (fixed measure).



CPDs

We offer five fully-accredited CPD seminars. Impartially presented by knowledgeable speakers, the seminars are structured to be technically informative, and provide practical advice.



The Importance of Fire Doors & Intumescent Seals

Fire doors and intumescent seals are critical components in fire safety, designed to prevent the spread of fire and smoke, saving lives and protecting property. This CPD explores their essential role in passive fire protection.

The CPD seminar covers:

- ▶ hard facts concerning deaths, injuries and property damage caused by fire and smoke;
- ▶ fire testing in the UK and the applicable fire and smoke leakage standards;
- ▶ how ironmongery affects fire doors and the vital role of intumescent protection;
- ▶ understanding intumescent seals for doors and the importance of third party certification;
- ▶ practical product solutions.

RIBA Core curriculum:

- ▶ Health, Safety & Wellbeing
- ▶ Legal, regulatory and statutory compliance

The Role and Performance of Fire & Smoke-Resisting Door Assemblies

The importance of fire and smoke resisting door assemblies is illustrated by the 220 fire related fatalities and 5,515 casualties in fires (England 2024). Apart from the human toll, property losses each year approach £2.52 billion.

The CPD seminar covers:

- ▶ hard facts concerning deaths, injuries and property damage caused by fire and smoke;
- ▶ regulatory requirements for fire and smoke resisting door assemblies;
- ▶ the nature and behaviour of smoke;
- ▶ effective design of door assemblies for smoke containment, including the threshold gap;
- ▶ design conflicts between fire containment, smoke containment, durability and ease of operation of the door;
- ▶ independent accreditation.

RIBA Core curriculum:

- ▶ Health, Safety & Wellbeing
- ▶ Legal, regulatory and statutory compliance
- ▶ Design, construction & technology

The Regulatory Reform (Fire Safety) Order 2005 & its implications for fire doors

The RRO consolidated 70 pieces of legislation; shifted responsibility for fire safety management; abolished the Fire Safety Certificate; established the Fire Risk Assessment and created major change in legal liability.

The CPD seminar covers:

- ▶ quick introduction to the RRO and who is responsible for a building's fire safety;
- ▶ examples of companies who have come under fire from the RRO;
- ▶ the dangers of fire and smoke;
- ▶ the importance of fire doors – including installation and maintenance.
- ▶ examples of poorly maintained and fitted fire doors with cost effective solutions.
- ▶ independent accreditation.

RIBA Core curriculum:

- ▶ Health, Safety & Wellbeing
- ▶ Design, construction & technology



Five of our CPD seminars have been independently verified and certified by RIBA. A certificate for 1 hour's CPD will be provided, which contributes to Continuing Professional Development requirements. RIBA-approved CPD earns Chartered Architects double points.

Performance Door Design: The Basics of Sound Reduction

Effective acoustic containment helps to improve the quality of the built environment, preserving privacy as well as excluding unwanted noise. With changing regulations, it's essential to be informed of the relevant requirements and the implications for door assemblies.

The CPD seminar covers:

- ▶ the nature of sound, examining airborne transmission of sound;
- ▶ regulatory requirements and British Standards that relate to acoustic performance;
- ▶ test procedures and interpretation of test reports;
- ▶ effective design of door assemblies for acoustic performance, including door construction and the influence of sealing systems;
- ▶ design conflicts between acoustic performance, durability and ease of operation of the door;
- ▶ independent accreditation.

RIBA Core curriculum:

- ▶ Legal, regulatory and statutory compliance
- ▶ Design, construction & technology.

The Design & Specification of Intumescent Air Transfer Grilles

Intumescent air transfer grilles enable ventilation while ensuring fire protection. Under normal conditions, they allow airflow, but in a fire, they expand to block fire, hot smoke, and gases. Combined fire and smoke grilles are designed for cold smoke containment. Correct specification is critical to ensure effective fire protection and safety in building design.

The CPD seminar covers:

- ▶ an overview of fire and life safety principles as they relate to air transfer grilles;
- ▶ principals & performance of intumescent air transfer grilles and the critical role they play in passive fire protection;
- ▶ understanding effective cold smoke containment to save lives and protect property;
- ▶ guidance on specifying air transfer grilles that comply with regulatory and performance standards.
- ▶ Practical advice and solutions for optimal performance throughout the product lifecycle.

RIBA Core curriculum:

- ▶ Design, construction & technology.

Each informative seminar provides an opportunity to keep up-to-date with all the latest facts about fire, smoke and acoustic containment, including regulations and standards – as well as exploring practical solutions.

Registered RIBA members can claim double points for our RIBA accredited CPD materials; and all attendees will receive one-hour's CPD for each seminar.

If CPD certification is not required, presentations can be tailored to suit a wide variety of audiences, including client companies, building contractors, construction industry groups and trade associations.



To find out more or to book, contact us:

cpd@lorientuk.com

www.lorientuk.com

TESTING + TECHNICAL SERVICES

We've built our reputation on the quality and dependability of our products, and our investment in R&D has played a pivotal role in keeping our products at the forefront of our industry. Our dedicated Testing and Technical Services division has established itself as an important facility for manufacturers and designers of doors, windows, glazing systems and hardware, to name just a few.

TESTING SERVICES

Whether you're investigating new materials, or developing new or existing products, right through to durability testing and benchmarking performance – our team of experts will support you throughout the process. We are able to offer:

- ▶ Fire testing (indicative)
- ▶ Smoke leakage
- ▶ Air leakage
- ▶ ATG commissioning and maintenance for fire & smoke resisting air transfer grilles
- ▶ Mechanical cycling
- ▶ Environmental chamber analysis
- ▶ Attendance at external fire tests
- ▶ Consultancy services.



▲
Lorient Indicative Furnace

SEALING SOLUTIONS

Detailed information about our products can be found in the following brochures:



Lorient Architectural Seals

A variety of door sealing systems including perimeter seals, drop seals, threshold plates, door bottom seals and many more.

Fire, Smoke and Acoustic Seals for Door Assemblies

Our core range of high performance fire, smoke and acoustic seals.

Fire and Smoke Resistant Air Transfer Grilles

A comprehensive range of fire, and fire and smoke resistant intumescent air transfer grilles for doors, walls, ducts, floors and ceilings.

Fire Resistant Door Hardware Protection

Letterplates, door edge protectors and intumescent kits that can safely be installed into fire rated doors without compromising the fire/smoke performance.

Fire Resistant Glazing Systems

Fire resistant glazing systems for doors, screens and partitions

Acoustic Sealing Systems for Door Assemblies

A comprehensive series of acoustic sealing systems for various types of door construction.

Copies of these brochures are available by calling **+44 (0)1626 834252** or download from our website **www.lorientuk.com**



UK

T: +44 (0) 1626 834252

E: sales@lorientuk.com

For further information about
Lorient products please visit:
www.lorientgroup.com



@lorientuk



/company/lorient



@lorientuk



@lorientuk



@lorientuk



@lorientuk