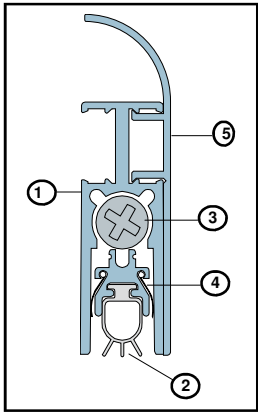


# IS8036si

## Fitting Instruction

Automatic Door Bottom Seal



Length:

### DESCRIPTION OF CONTENTS

- Aluminium Housing (1)
- Silicone Gasket (2)
- Actuator Button (3)
- Smoke Fins (4)
- Curved Aluminium Cover (5)
- Bag containing
  1. 2 x End Caps & Plug
  2. Fixing Screws
  3. 1 x Striker Button
- Fitting Instructions

### TOOLS REQUIRED FOR INSTALLATION

- Tape Measure
- Saw (Power or Hand)
- Screw Driver
- 4mm Drill Bit
- 2.5mm Drill Bit
- Drill (Power or Hand)
- Knife
- Pencil or Marker

### FACE FIXED INSTALLATION

#### STEP 1

Remove the seal from the packaging.

#### STEP 2

**WARNING:** check maximum cut back lengths on the table provided.

Measure the distance between the door stops. Pull back the gasket from the **opposite** end to the actuator button and using a power saw/hacksaw, cut the aluminium sections to the measured length, less 6mm for end caps and clearance. Remove cutting swarf.

Push gasket back into position and cut to length with a sharp knife.

#### STEP 3

Separate (slide) the aluminium housing and the curved cover plate. Fit the end cap to the actuator button end and position the seal at the bottom face of the door on the stop side, button end tight up the door stop and allowing a maximum 10mm gap (minimum 1mm) between the door bottom and the sill. Ensure the actuator button is on the hinge side.

#### STEP 4

Drill holes in aluminium housing then pre-drill and screw fix to the door using screws provided.

#### STEP 5

Re-fit the curved cover plate to hide the screw fixing. Fit the remaining end cap and plug.

#### STEP 6

For timber frames, position the striker button on the stop where the actuator button meets the door stop.

#### STEP 7

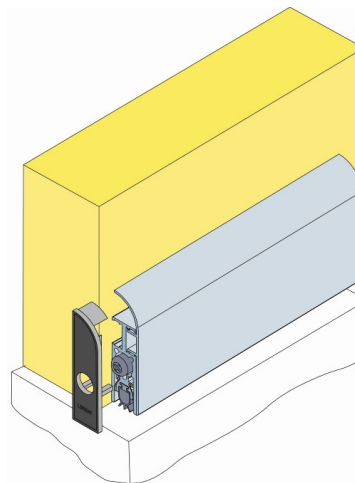
Open and close the door observing the operation of the seal. Adjust accordingly by winding the actuator button clockwise to reduce movement and anticlockwise to increase the seal movement.

**NOTE:** For optimum results the seal should be adjusted so that the silicone gasket touches the sill in the final closing moment of the door.

We recommend IS8036si automatic door bottom seal be used together with a Lorient Integrity™ 7000 series perimeter seal and, if required a 4000 series threshold plate.

**IMPORTANT – Ensure that the installation of this product does not impede the opening or closing of the door. It is recommended to check the adjustment of the door seal periodically to ensure the door assembly to which it is fitted, closes and latches properly.**

*The seal may be removed for periodic cleaning or replacement of a worn gasket, without removing the door leaf from its frame.*



IS8036si face fixed

### OTHER INTEGRITY™ ARCHITECTURAL SEALS INCLUDE:

- Door Perimeter Seals
- Door Bottom Seals
- Automatic Door Bottom Seals
- Threshold Plates
- Brush Seals
- Magnetic Seals

Contact your nearest Lorient office for further details.

### NOTE

*Recommendations as to methods for use of materials and construction details are based on the experience and knowledge of Lorient and are given in good faith as a general guide and service to designers, contractors and manufacturers.*

*Lorient reserves the right to make alterations or delete any installation detail without prior notice.*

### CUT BACK SIZES

Do not cut the seal shorter than the lengths indicated below or this will affect the normal operation of the internal mechanism:

335mm	cuts to	255mm
435mm	cuts to	336mm
535mm	cuts to	436mm
635mm	cuts to	536mm
735mm	cuts to	636mm
835mm	cuts to	736mm
935mm	cuts to	836mm
1035mm	cuts to	936mm
1135mm	cuts to	1036mm

#### AUSTRALIA Lorient Australia

Tel 1300 858 010

#### ASIA PACIFIC Lorient Pacific Limited Hong Kong

Tel: (+852) 2505 0328

#### EUROPE Lorient Polyproducts Ltd UK

Tel: (+44) 1626 834252

#### MIDDLE EAST Lorient Middle East Building Materials Trading LLC Dubai

Tel (+971) 4267 4339  
Fax (+971) 4267 5339