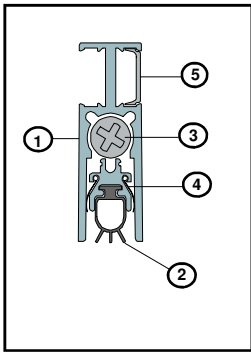


IS8035si

Fitting Instruction

Automatic Door Bottom Seal



Length:

FACE FIXED INSTALLATION

STEP 1

Remove the seal from the packaging and remove the flexible cover strip.

STEP 2

WARNING: Check maximum cut back lengths on the table provided.

Measure the distance between the door stops. Pull back the gasket from the **opposite** end to the actuator button and using a power saw/hacksaw, cut the aluminium sections to the measured length, less 8mm for end caps and clearance. Remove cutting swarf.

Push gasket back into position and cut to length with a sharp knife.

STEP 3

Fit the end cap to the actuator button end and position the seal at the bottom face of the door on the stop side, button end tight up to the door stop and allowing a maximum 10mm gap (minimum 1mm) between the door bottom and the sill. Ensure the actuator button is on the hinge side.

STEP 4

Drill holes in aluminium housing, then pre-drill and screw fix to the door using screws provided. Cut the flexible cover strip to length and replace. Fit remaining end cap.

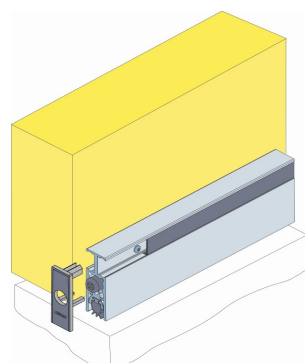
STEP 5

For timber frames, position the striker button on the stop where the actuator button meets the door frame.

STEP 6

Open and close the door observing the operation of the seal. Adjust accordingly by winding the actuator button clockwise to reduce movement and anticlockwise to increase the seal movement.

NOTE: For optimum results the seal should be adjusted so that the silicone gasket touches the sill in the final closing moment of the door.



IS8035si face fixed.

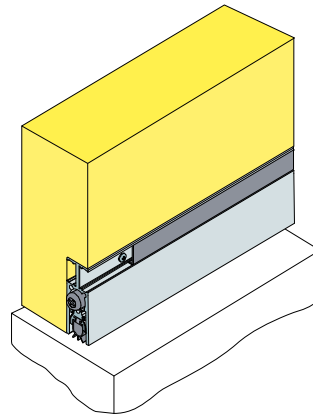
SEMI-MORTISED

STEP 1

Remove the door from its hinges and cut a 37mm deep x 13mm wide rebate into the bottom of the door (on the side of the door the seal is to be positioned) and re-hang the door.

STEP 2

Measure the door width. Cut the seal to the door width, using the same principles as per the face-fixed installation details.



IS8035si semi-mortised

We recommend IS8035si automatic door bottom seal be used together with a Lorient Integrity™ 7000 series perimeter seal and, if required a 4000 series threshold plate.

IMPORTANT – Ensure that the installation of this product does not impede the opening or closing of the door. It is recommended to check the adjustment of the door seal periodically to ensure the door assembly to which it is fitted, closes and latches properly.

The seal may be removed for periodic cleaning or replacement of a worn gasket, without removing the door leaf from its frame.

OTHER INTEGRITY™ ARCHITECTURAL SEALS INCLUDE:

- Door Perimeter Seals
- Door Bottom Seals
- Automatic Door Bottom Seals
- Threshold Plates
- Brush Seals
- Magnetic Seals

Contact your nearest Lorient office for further details.

NOTE

Recommendations as to methods for use of materials and construction details are based on the experience and knowledge of Lorient and are given in good faith as a general guide and service to designers, contractors and manufacturers.

Lorient reserves the right to make alterations or delete any installation detail without prior notice.

CUT BACK SIZES

Do not cut the seal shorter than the lengths indicated below or this will affect the normal operation of the internal mechanism:

335mm	cuts to	255mm
435mm	cuts to	336mm
535mm	cuts to	436mm
635mm	cuts to	536mm
735mm	cuts to	636mm
835mm	cuts to	736mm
935mm	cuts to	836mm
1035mm	cuts to	936mm
1135mm	cuts to	1036mm

DESCRIPTION OF CONTENTS

- Aluminium Housing (1)
- Silicone Gasket (2)
- Actuator Button (3)
- Smoke Fins (4)
- Flexible Cover Strip (5)
- Bag containing
 1. 2 x End caps
 2. Fixing Screws
 3. 1 x Striker Button
- Fitting Instructions

TOOLS REQUIRED FOR INSTALLATION

- Tape Measure
- Saw (Power or Hand)
- Screw Driver
- 4mm Drill Bit
- 2.5mm Drill Bit
- Drill (Power or Hand)
- Knife
- Pencil or Marker
- Router
- Cutting Router Bit



Architectural Seals

AUSTRALIA
Lorient Australia
Tel 1300 858 010

ASIA PACIFIC
Lorient Pacific Limited Hong Kong
Tel: (+852) 2505 0328

EUROPE
Lorient Polyproducts Ltd UK
Tel: (+44) 1626 834252

MIDDLE EAST
Lorient Middle East Building
Materials Trading LLC Dubai
Tel (+971) 4267 4339
Fax (+971) 4267 5339