

## IS3015 si and IS3016 si Threshold (Door Bottom) Seals Medium Duty



Tested acoustic threshold seals. Tested in accordance with BS EN ISO 140-3:1995. See Acoustic Sealing Systems for Door Assemblies manual for further details.

### Location

Single and double swing doors.

### Use with

Practically any threshold plate (4000 series).

### Min/max gap size

IS3015 – 5mm/8mm

IS3016 – 7mm/10mm

### Seal material

Flexible silicone rubber.

### Standard lengths

1m and 2.1m. Other lengths to special order.

### Fixing

Wood screws are supplied (self-tapping screws for metal frames are available on request). Fixing holes are pre-drilled. Once the aluminium carrier is fixed, the rubber gasket can be snapped easily into place, due to its unique 'push fit' design.

*Note: these seals cannot be adjusted once fitted.*

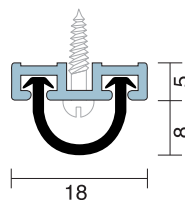
### Finish

Silver anodised aluminium with black flexible insert.

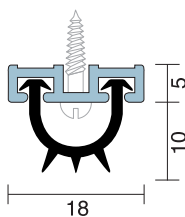
### Acoustic performance

Weighted Sound Reduction (R<sub>w</sub>): 35dB

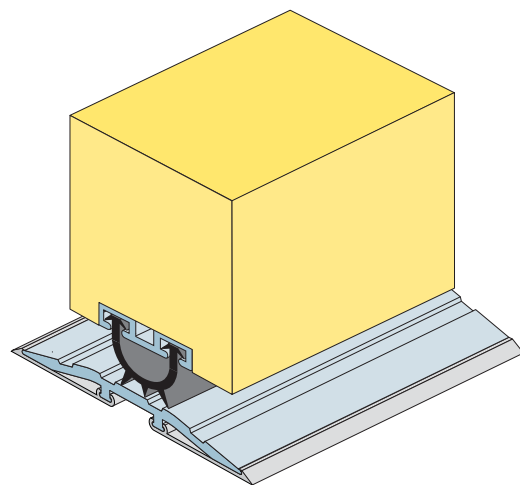
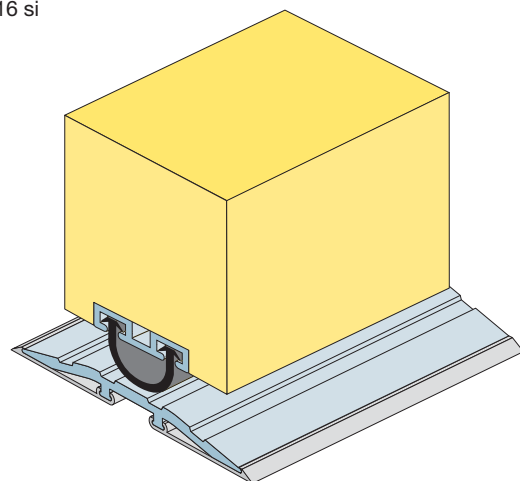
Sound Transmission Class (STC): 35dB



IS3015 si



IS3016 si



Both seals shown with threshold plate IS4010.

