

**IS7025 si and IS7110 si Perimeter Seals**

Medium Duty



Two acoustic seals designed to be fitted to existing door stops. Tested in accordance with BS EN ISO 140-3: 1995. See Acoustic Sealing Systems for Door Assemblies manual for further details. Both seals meet the smoke leakage performance requirements of BS 5588 when tested in accordance with BS 476 Pt 31.1.

IS7025 si and IS7026 si are CERTIFIRE approved, certificate no. CF136.

■ **Location**

Head and jambs of single swing doors.

■ **Seal material**

Flexible silicone rubber.

■ **Standard lengths**

1m and 2.1m. Single doorset pack consisting of 1 x 1m and 2 x 2.1m. Other lengths to special order.

■ **Fixing**

Wood screws are supplied (self-tapping screws for metal frames are available on request). Fixing holes are pre-drilled and slotted to allow the seals to be adjusted and positioned accurately. A PVC cover strip to conceal fixings is supplied.

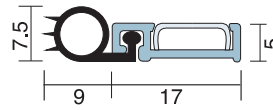
■ **Finishes**

Silver or bronze anodised aluminium with black silicone rubber gasket. A grey silicone gasket is available on request. Special colours can be supplied when ordering the snap-on cover plate (products IS7026 si and IS7111 si).

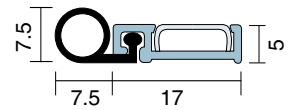
■ **Acoustic performance**

Weighted Sound Reduction Index (R<sub>w</sub>): 31dB.

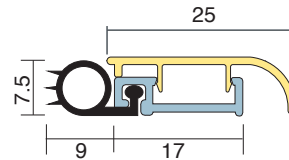
Sound Transmission Class (STC): 31dB.



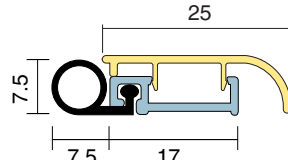
IS7025 si



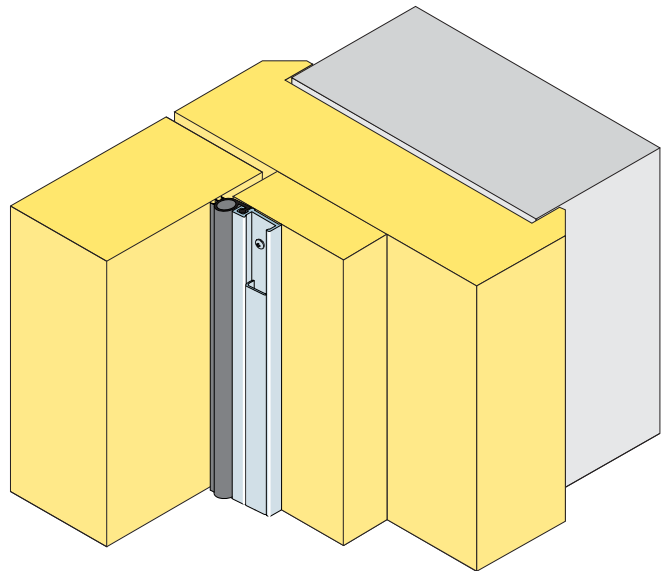
IS7110 si



IS7026 si



IS7111 si



Weighted Sound Reduction Index (R<sub>w</sub>): 35dB.

Sound Transmission Class (STC): 35dB.

