

IS9050 and IS9070 Finger Guard Seals

Medium Duty



Trapping fingers in hinged doors can cause horrendous injuries. The risk is especially high in locations where young children are present. The finger guard seals provide the shield. Provides protection on both sides of the door by using the IS9050 on the hinge knuckle side and the IS9070 on the hinge cavity side. IS9070 includes a unique, integral smoke and acoustic seal. It can be used in conjunction with the IS7025 si acoustic seal around the remainder of the door perimeter for a comprehensive sealing and finger protection system. Tested over 200,000 opening and closing cycles without any sign of degradation.

Location

Jambes of hinged doors. IS9070 can be used on doors with an opening of 180°.

Use with

IS7025 si acoustic perimeter seal and IS8010 si automatic threshold seal (fully mortised).

Seal material

Santoprene rubber.

Standard lengths

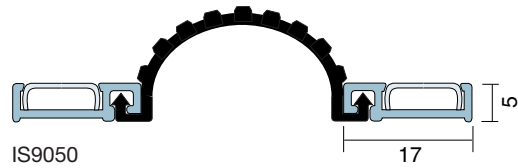
2.1m. Other lengths to special order. Single doorset packs are available containing 1 x 2.1m IS9050 and 1 x 2.1m IS9070.

Fixing

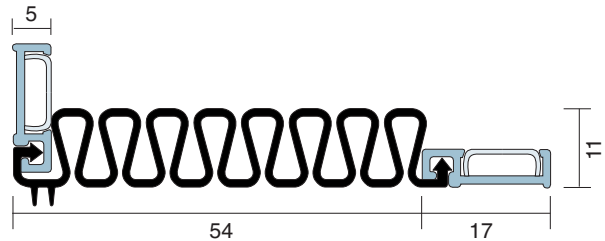
Wood screws are supplied (self-tapping screws for metal frames are available on request). Fixing holes are pre-drilled and slotted to allow the seals to be adjusted and positioned accurately. A PVC cover strip to conceal fixings is supplied.

Finishes

Silver or bronze anodised aluminium with black cover strip and black flexible insert. Cream, brown and grey flexible inserts with matching cover strips are available on request. Special colours can be supplied when ordering the snap-on PVC cover plate (products IS9051 and IS9071).

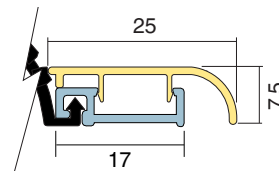


IS9050

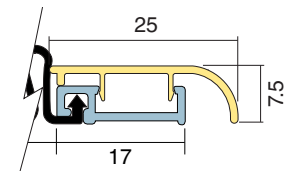


Maximum extension 200mm

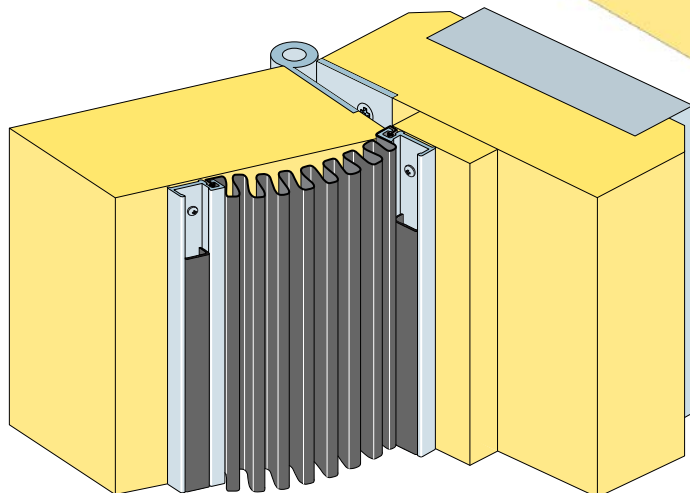
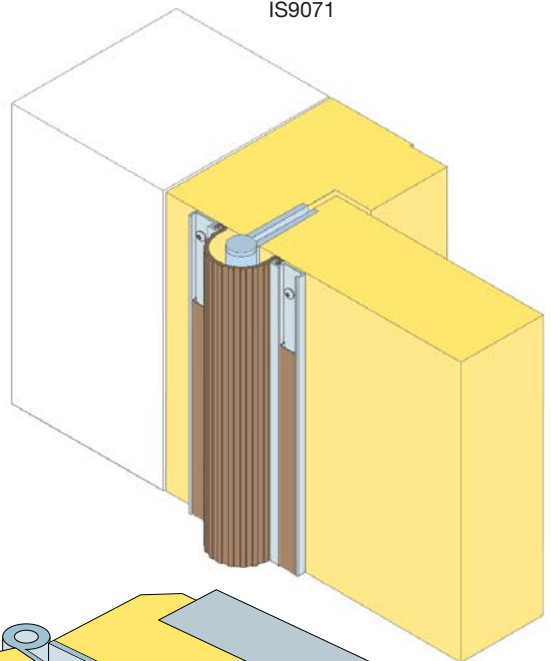
IS9070



IS9051



IS9071



UK and overseas patents apply