

IS8100 si Automatic Threshold (Door Bottom) Seal
Heavy Duty


An automatic threshold (door bottom) seal which is spring-loaded to lift clear of the floor as soon as the door is opened by a few millimetres. It requires no power connection. Plastic end plates are supplied. Completed over 1,000,000 operating cycles without failure. This is a fully mortised version of IS8090 si. Tested for acoustic performance in accordance with BS EN ISO 140-3: 1995. It also meets the smoke leakage performance requirements of BS 5588 when tested in accordance with BS 476 Pt 31.1 and AS 1530.7.

Location

Single swing doors.

Use with

Any perimeter seal (6000 or 7000 series).

Min/max gap size

3mm/15mm.

Seal material

Black or grey silicone rubber.

Standard lengths

335mm, 435mm, 535mm, 635mm, 735mm, 835mm, 935mm, 1035mm and 1135mm.

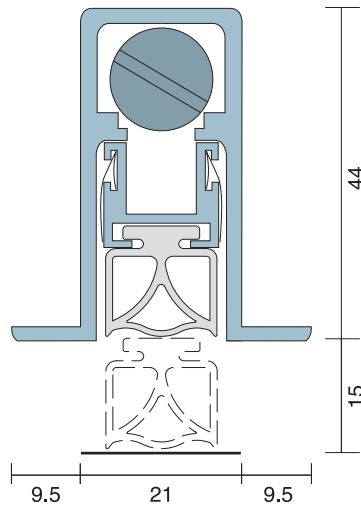
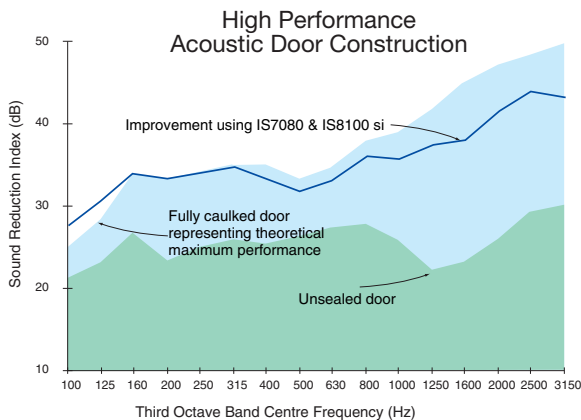
Note: Each length can be cut to the next size down.

The 335mm can be cut back to 255mm.

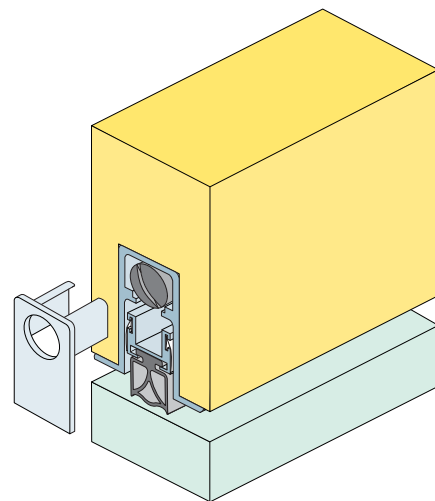
Acoustic performance

Weighted Sound Reduction Index (Rw): 36dB.

Sound Transmission Class (STC): 36dB.



IS8100 si


Fixing

Fixing screws are supplied, fixing holes are pre-drilled.

Adjustment

Self-levelling on uneven surfaces - can be adjusted independently of the fixing screws.

Finishes

Silver anodised aluminium, grey silicone rubber gasket, grey end caps.

Bronze anodised aluminium, black silicone rubber gasket, black end caps.