

## IS8060S Stainless Steel Automatic Threshold (Door Bottom) Seal Medium Duty



A stainless steel medium duty automatic threshold (door bottom) seal which is spring-loaded to lift clear of the floor as soon as the door is opened by a few millimetres. It requires no power connection. The internal mechanism is extremely light to operate with minimal opening and closing resistance.

### ■ Location

Single swing doors.

### ■ Use with

Any perimeter seal (6000 or 7000 series).

### ■ Min/max gap size

3mm/13mm.

### ■ Seal material

EPDM.

### ■ Lengths

725mm, 825mm, 925mm and 1025mm.

*Note: each length can be reduced for an exact fit by up to 110mm.*

### ■ Fixing

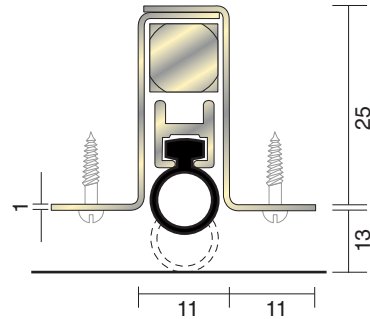
Fixing screws are supplied, fixing holes are pre-drilled. Striker button, which locates in the door jamb, is supplied. End plates not supplied.

### ■ Adjustment

Self-levelling on uneven surfaces. Adjustment can be carried out independently of the fixing screws.

### ■ Finish

Grade 304 stainless steel with black EPDM insert.



IS8060S

