

IS8040 Automatic Threshold (Door Bottom) Seal

Medium Duty



An automatic threshold (door bottom) seal designed to lift clear of the floor as soon as the door is opened by a few millimetres. It requires no power connection.

The unique double activated mechanism has an adjustable brass striker button at the hinge side and a nylon striker at the latch side. The mechanism also contains additional internal seals and a double compression facility to provide exceptional acoustic performance with minimal opening and closing resistance. Tested in accordance with BS EN ISO 140-3:1995. See Acoustic Sealing Systems for Door Assemblies manual for further details.

Location

Single leaf, single swing doors.

Use with

Any perimeter seal (6000 or 7000 series).

Min/max gap size

3mm/14mm.

Seal material

Flexible elastomeric seals and internal fins.

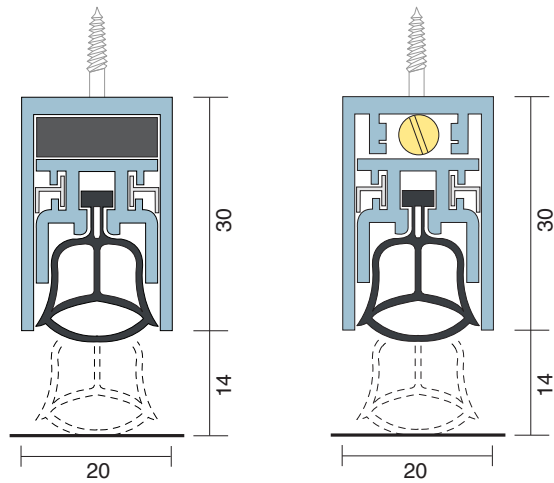
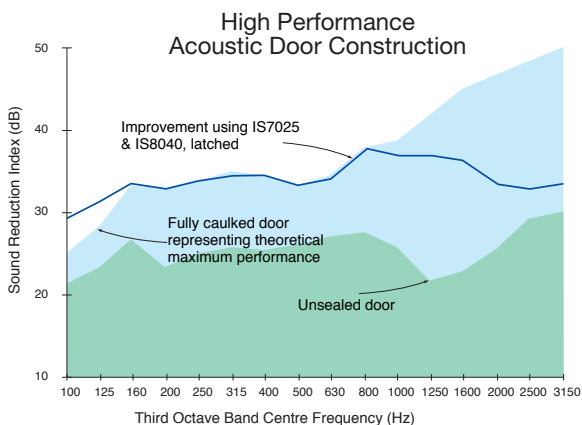
Standard lengths

335mm, 435mm, 535mm, 635mm, 735mm, 835mm, 935mm, 1035mm and 1135mm.

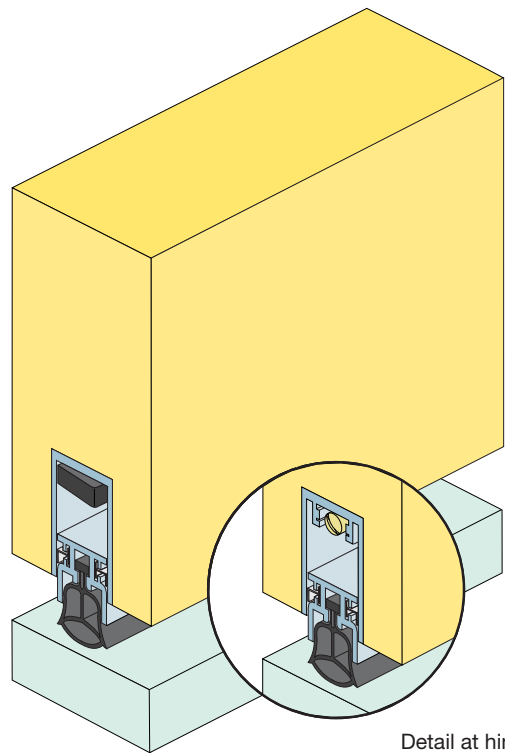
Note: each size cuts back by 70mm.
Acoustic performance

Weighted Sound Reduction Index (Rw): 35dB.

Sound Transmission Class (STC): 35dB.


 IS8040
Detail at latch side.

Detail at hinge side.



Detail at hinge.

Fixing

Appropriate fixing screws are supplied, fixing holes are pre-drilled. Striker plates, which are located in the door jambs are supplied. This seal must be mortised.

Adjustment

Self-levelling on uneven surfaces - can be adjusted independently of fixing screws.

Finishes

Silver anodised aluminium with black flexible insert.