

IS8005 si Automatic Threshold (Door Bottom) Seal
 Medium Duty


A slim-line, concealed automatic threshold (door bottom) seal featuring a high efficiency mechanism. The seal is lifted clear of the floor as soon as the door is opened by a few millimetres – resulting in exceptionally low door operating forces. It requires no power connection.

CERTIFIRE approved, certificate no. CF136.

Key Benefits

- Internal fins provide superior acoustic properties – tested in accordance with BS EN ISO 140-3: 1995.
- Meets the smoke leakage performance requirements of BS 5588 when tested in accordance with BS 476: Pt.31.1:1983.
- Tested for up to 60 minutes under the conditions of BS476: Pt.20/22: 1987 without compromising fire performance.
- Highly durable – has achieved over 1,000,000 cycles on a full size door assembly.
- Can be fitted to aluminium doors by door fabricators.

Location

Single swing doors.

Use with

Any perimeter seal (6000 or 7000 series).

Min/max gap size

1mm/10mm.

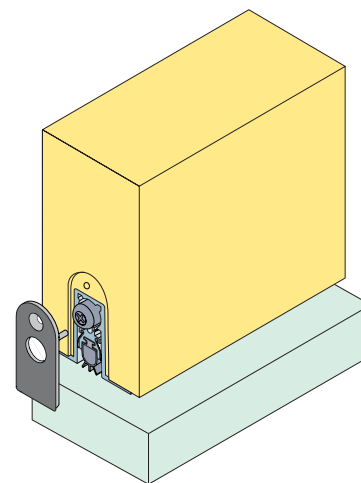
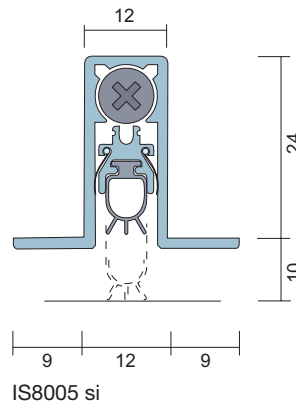
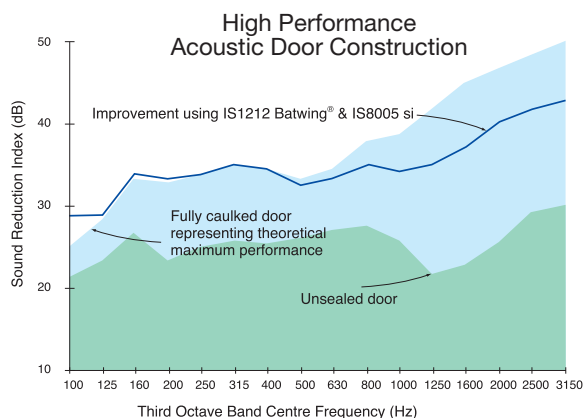
Seal material

Grey silicone rubber.

Acoustic performance

Weighted Sound Reduction Index (Rw): 37dB.

Sound Transmission Class (STC): 37dB.


Lengths

335mm, 435mm, 535mm, 635mm, 735mm, 835mm, 935mm, 1035mm and 1135mm.

Note: Each length can be cut to the next size down. The 335mm can be cut back to 255mm.

Fixing

This seal is mortised, and screw fixed. Fixing screws are supplied; fixing holes are pre-drilled and countersunk.

Adjustment

Self-levelling on uneven surfaces. Seal height can be adjusted independently of the fixing screws.

Finishes

Silver anodised aluminium, with grey end plates.
Grey silicone rubber.