

IS7120 si Perimeter Seal

Medium Duty



The seal is squeezed between the door and the stop when the door is closed, thus compensating for warped or unevenly hung doors. Tested in accordance with BS EN ISO 140-3: 1995. See Acoustic Sealing Systems for Door Assemblies manual for further details.

Location

Head and jambs of single swing doors.

Seal material

Flexible silicone rubber.

Standard lengths

1m and 2.1m. Single doorset pack consisting of 1 x 1m and 2 x 2.1m. Other lengths to special order.

Fixing

Wood screws are supplied (self-tapping screws for metal frames are available on request). Fixing holes are pre-drilled and slotted to allow the seals to be adjusted and positioned accurately. A PVC cover strip to conceal fixings is supplied.

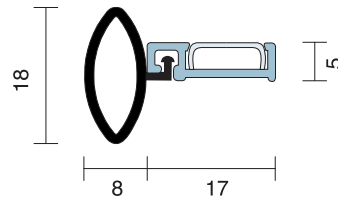
Finishes

Silver anodised aluminium with grey cover strip and black silicone rubber gasket.
 Bronze anodised aluminium with black cover strip and black silicone rubber gasket.
 Special colours can be supplied when ordering the snap-on PVC cover plate – IS7121 si.

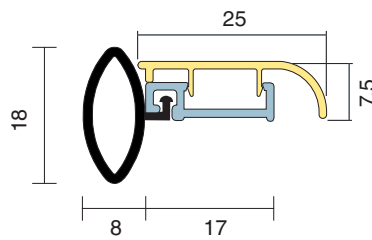
Acoustic performance

Weighted Sound Reduction Index (Rw): 33dB.

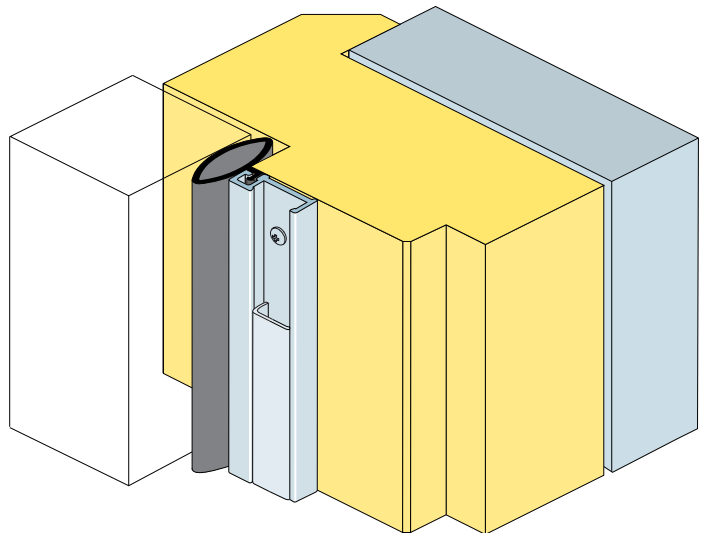
Sound Transmission Class (STC): 33dB.



IS7120 si



IS7121 si



Weighted Sound Reduction Index (Rw): 37dB.

Sound Transmission Class (STC): 37dB.

