

IS6030 Magnetic Perimeter Seal

Medium Duty



Refrigeration-type vinyl magnetic strip in anodised aluminium housing. The strip holds the door closed so latches are not always required.

This seal has proved to be an effective acoustic seal when tested in accordance with BS EN ISO 140-3: 1995. See Acoustic Sealing Systems for Door Assemblies manual for further details.

■ Key Benefits

- Durable anodised aesthetic finish.
- Concealed fixings, pre-drilled and slotted holes for easy adjustment.
- Easily installed without removing the door.
- Can be supplied with magnetic keeper strip, IS6100 which has an aggressive self-adhesive backing for fixing to timber doors.

■ Location

Head and jambs of single swing steel clad doors and timber doors with IS6100 insert.

■ Seal material

IS6030 – flexible vinyl with magnetic core.
IS6100 – PVC sleeve with magnetic insert.

■ Standard lengths

1m and 2.1m. Single doorset pack consisting of 1 x 1m and 2 x 2.1m. Other lengths to special order.

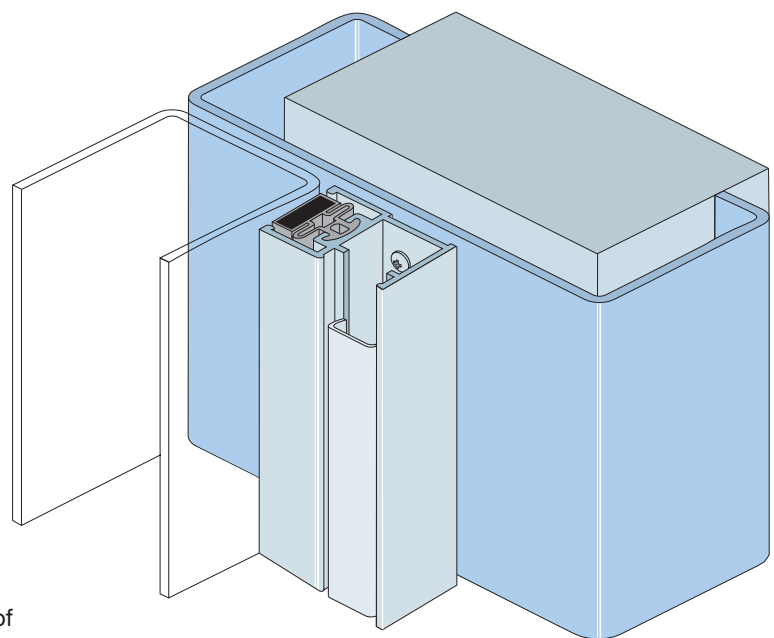
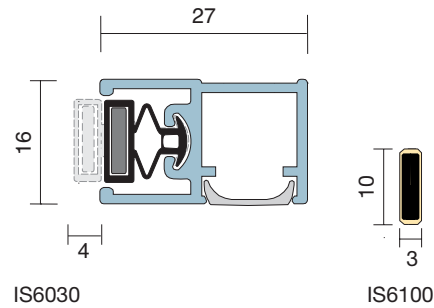
■ Fixing

Wood screws are supplied (self-tapping screws for metal frames are available on request). Fixing holes are pre-drilled and slotted to allow the seals to be adjusted and positioned accurately. A PVC cover strip to conceal fixings is supplied.

Note: order IS6100 magnetic keeper strip for use with timber doors. Supplied with self-adhesive backing as standard.

■ Finish

IS6030 – silver anodised aluminium with grey insert or bronze anodised aluminium with black insert.
IS6100 – brown, cream or maple PVC sleeve. Other colours, including woodgrain finishes, to special order.



■ Acoustic Performance

Weighted Sound Reduction Index (R_w): 33dB.
Sound Transmission Class (STC): 33dB.

