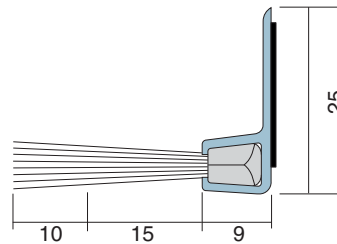


IS5060H, IS5065H and IS5070H Sweep Action Brushes

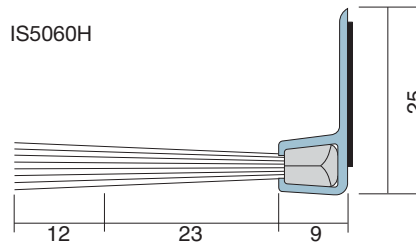
Medium Duty



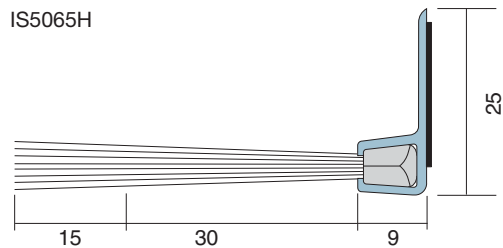
- **Location**
 Sliding doors.
- **Min/max gap size**
 IS5060H: 24mm/30mm.
 IS5065H: 32mm/40mm.
 IS5070H: 39mm/50mm.
- **Seal material**
 Nylon brush filaments, UV stabilised.
- **Standard lengths**
 1m, 2.1m and 3m. Other lengths to special order.
- **Fixing**
 Heavy duty self-adhesive tape.
- **Finishes**
 Silver or bronze anodised aluminium with black brush filaments.



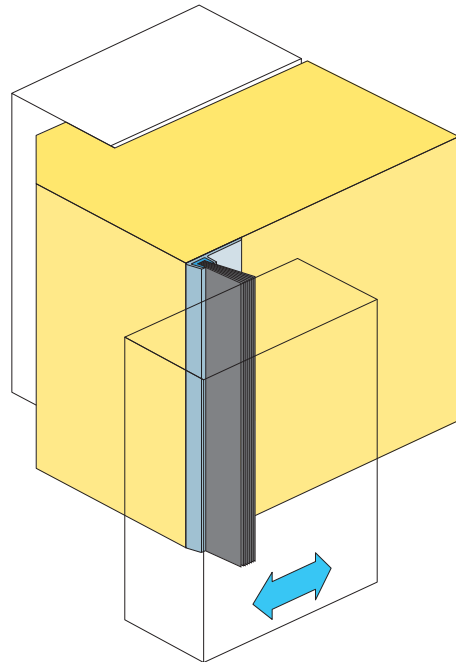
IS5060H



IS5065H



IS5070H


Note:

For information on brush only products, please refer to the Gasket, Brush and Seal Components section.