

IS3100 si Threshold (Door Bottom) Seal with Threshold Plate

Medium Duty



A storm-proof seal consisting of the IS3070 si threshold seal and IS4100 threshold plate. The plate may be filled with slurry to help keep it in position when crossed by heavy industrial traffic.

■ Key Benefits

- Storm-proof, multi-blade seal to deflect water.
- Flexible bedding gasket on plate to eliminate vibration and noise and provide cushioning on uneven surfaces.
- Can be fitted without removing the door.
- Concealed fixings, pre-drilled and slotted holes on IS3070 si for easy adjustment.
- Durable, anodised aesthetic finish.

■ Location

- Single swing doors.
- Roller shutter doors.
- Up and over doors.

■ Min/max gap size

22mm/24mm.

■ Seal material

- IS3070 si – Flexible silicone rubber.
- IS4100 – Extruded aluminium with flexible bedding gasket.

■ Standard lengths

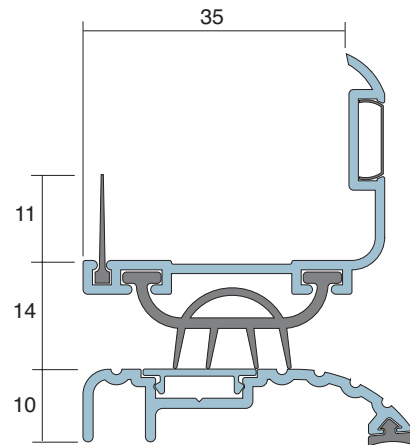
1m and 2.1m. Other lengths to special order.

■ Fixing

- IS3070 si – Wood screws are supplied (self-tapping screws for metal frames are available on request.)
- Fixing holes are pre-drilled and slotted to allow the seals to be adjusted and positioned accurately.
- A PVC cover strip to conceal fixings is supplied.
- IS4100 – Fixing screws are supplied. An aluminium cover strip to conceal fixings is supplied.

■ Finishes

- IS3070 si – Silver anodised aluminium with grey cover strip and grey silicone rubber gasket or bronze anodised aluminium with black cover strip and black silicone rubber gasket.
- IS4100 – Silver anodised aluminium with grey flexible bedding gasket or bronze anodised aluminium with black flexible bedding gasket.



IS3100 si

