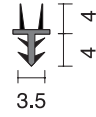
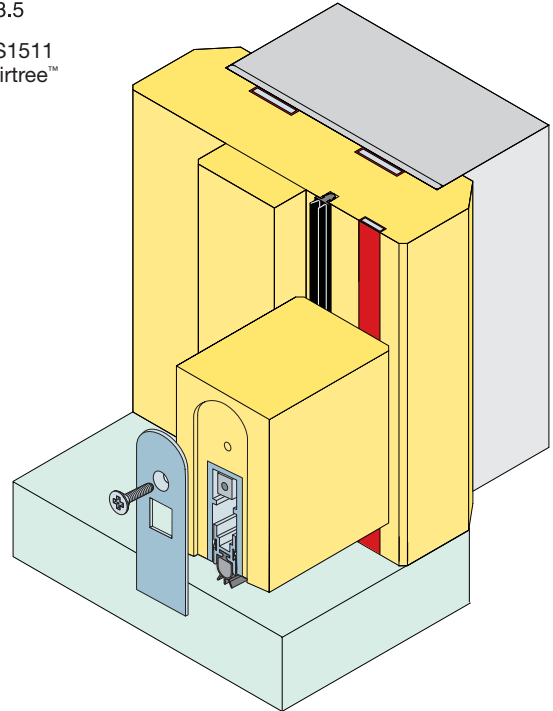


IS1511 Firtree™ Seal

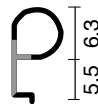

A highly effective acoustic seal with smoke barrier performance up to 200°C.

- **Location**
Head and jambs of single and double leaf doors.
- **Use with**
Practically any threshold (door bottom) seal (3000 and 8000 series). IS8010 si recommended for optimum acoustic performance.
- **Min/max gap size**
3mm/4mm. 6mm finned version available.
- **Seal material**
Co-extruded rigid back with flexible fins.
- **Standard lengths**
1m and 2.1m. Other lengths to special order.
- **Fixing**
Interference fit into a kerf 3mm wide and minimum 4mm deep.
- **Colours**
Black or white.


 IS1511
Firtree™

IS1606 Bulb Seal


A bulb type buffer seal with a semi-rigid spine for kerf fitting.

- **Location**
Head and jambs of single swing doors.
- **Use with**
Practically any threshold (door bottom) seal (3000 and 8000 series).
- **Min/max gap size**
3mm/6mm.
- **Seal material**
Co-extruded elastomeric bulb with PVC spine.
- **Standard lengths**
5m and 10m rolls.
- **Fixing**
Interference fit into a kerf 2mm wide and minimum 5mm deep.
- **Colours**
Black, white, brown or silver grey.



IS1606

