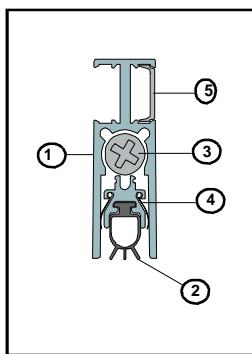




IS8035si

Fitting Instruction

Automatic Door Bottom Seal



Length: 35mm

DESCRIPTION OF CONTENTS

- Aluminium Carrier (1)
- Flexible Gasket (2)
- Actuator button (3)
- Smoke fins (4)
- Flexible coverstrip (5)
- Bag containing
 1. 2 x end plates
 2. Fixing screws
 3. 1 x striker button
- Fitting Instructions

TOOLS REQUIRED FOR INSTALLATION

- Tape Measure
- Saw (Power or Hand)
- Screw Driver
- 2.5mm Drill Bit
- Drill (Power or Hand)
- Knife
- Pencil or marker
- Router
- 15mm long series router

FACE FIXED INSTALLATION

STEP 1

Remove the seal from the packaging and measure the distance between the door stops.

STEP 2

Remove the plastic end plate on the non actuator button side.

STEP 3

Using a saw (power or hand), cut the aluminium section to the desired length, less 2mm allowing for replacement of the end plate.

WARNING: check maximum cut-back lengths on table provided.

STEP 4

Position the seal at the bottom face of the door on the stop side of the door, allowing a maximum 13mm gap (minimum 5mm) between the door bottom and the sill.

STEP 5

Screw fix using screws provided, positioning the seal to lightly touch the sill.

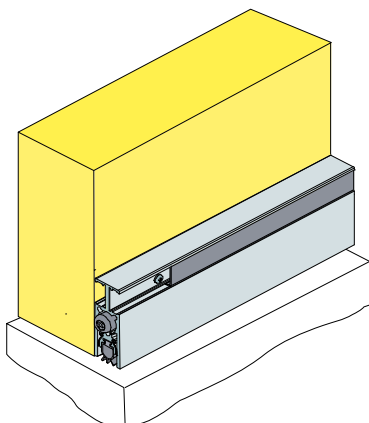
STEP 6

For timber frames, position the striker button on the stop where the actuator button meets the door stop.

STEP 7

When the door leaf is re-fitted open and close the door observing the operation of the seal. Adjust accordingly by winding the operating button in or out. (For timber frames, fix the striker button to the frame opposite the operating button.)

If seal movement needs adjustment to make less contact or full contact with floor, pull out actuator button clear of aluminium housing. Firmly holding threaded rod, turn adjustable block clockwise to reduce movement or anticlockwise to increase the



IS8035si face fixed

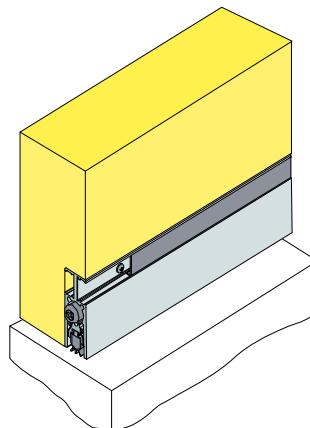
SEMI-MORTISED

STEP 1

Remove the door from its hinges and mortise a 35mm deep x 14mm wide groove into the bottom of the door (on the side of the door the seal is to be positioned) and re-hang the door.

STEP 2

Measure the door width between stops. Cut the seal to length, using the same principles as per the face-fixed installation details.



IS8035si semi-mortised

We recommend IS8035si automatic door bottom seal be used together with a Lorient Integrity™ 7000 series perimeter seal and, if required a 4000 series threshold plate.

IMPORTANT – Ensure that the installation of this product does not impede the opening or closing of the door. It is recommended to check the adjustment of the door seal periodically to ensure the door assembly to which it is fitted, closes and latches properly.

The seal may be removed for periodic cleaning or replacement of a worn gasket, without removing the door leaf from its frame.

OTHER INTEGRITY™ ARCHITECTURAL SEALS INCLUDE:

- Door Perimeter Seals
- Door Bottom Seals
- Automatic Door Bottom Seals
- Threshold Plates
- Brush Seals
- Magnetic Seals

Contact your nearest Lorient office for further details.

NOTE

Recommendations as to methods for use of materials and construction details are based on the experience and knowledge of Lorient and are given in good faith as a general guide and service to designers, contractors and manufacturers.

Lorient reserves the right to make alterations or delete any installation detail without prior notice.

CUT BACK SIZES

Do not cut the seal shorter than the lengths indicated below or this will affect the normal operation of the internal mechanism:

335mm	cuts to	255mm
435mm	cuts to	256mm
535mm	cuts to	436mm
635mm	cuts to	536mm
735mm	cuts to	636mm
835mm	cuts to	736mm
935mm	cuts to	836mm
1035mm	cuts to	936mm
1135mm	cuts to	1036mm



AUSTRALIA Lorient Australia Tel 1300 858 010
ASIA PACIFIC Lorient Pacific Limited Hong Kong Tel: (+852) 2505 0328
EUROPE Lorient Polyproducts Ltd UK Tel: (+44) 1626 834252
MIDDLE EAST Lorient Middle East Building Materials Trading LLC Dubai Tel (+971) 4267 4339 Fax (+971) 4267 5339