

IS5075A, IS5080A and IS5085A Sweep Action Brushes

Medium Duty



■ **Location**

A variety of industrial door applications requiring angled brushes.

■ **Min/max gap size**

IS5075A: 19mm/25mm.

IS5080A: 25mm/35mm.

IS5085A: 35mm/45mm.

■ **Seal material**

Nylon brush filaments, UV stabilised.

■ **Standard lengths**

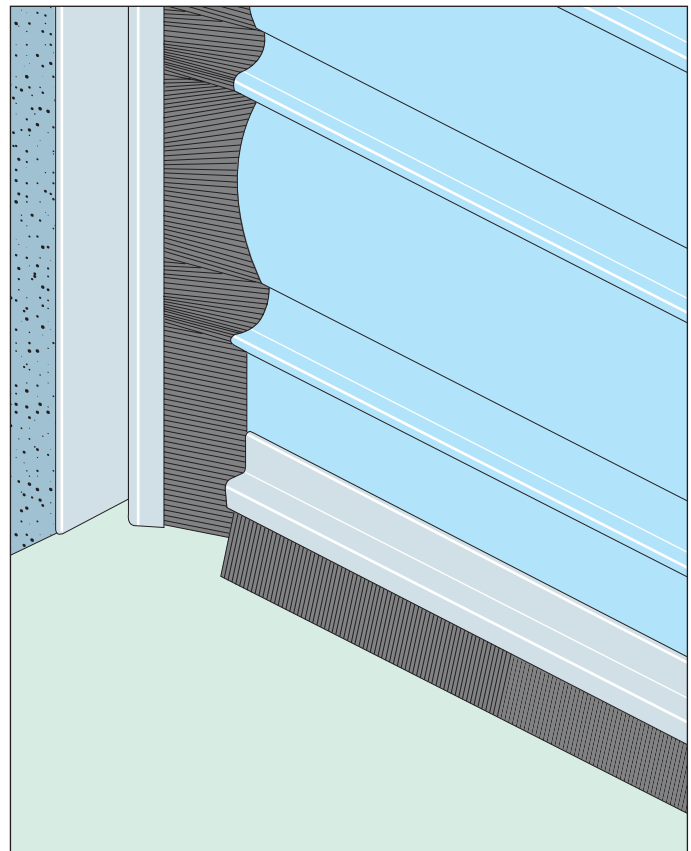
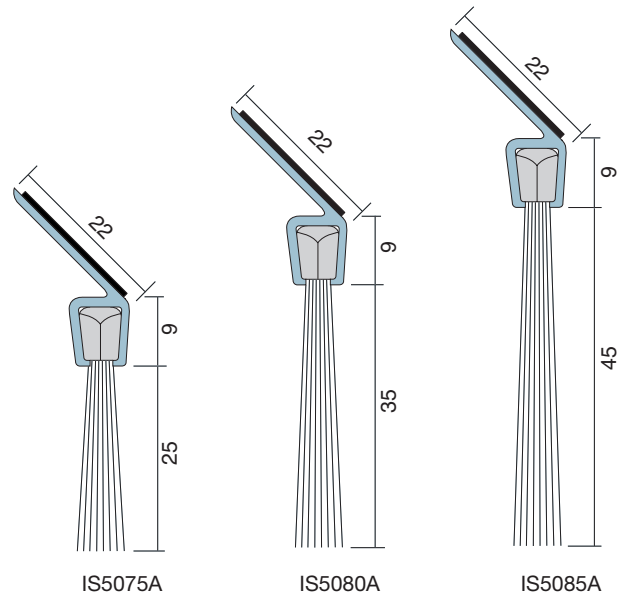
1m, 2.1m and 3m. Other lengths to special order.

■ **Fixing**

Heavy duty self-adhesive tape.

■ **Finishes**

Silver or bronze anodised aluminium with black brush filaments.



Note:

For information on brush only products, please refer to the Gasket, Brush and Seal Components section.