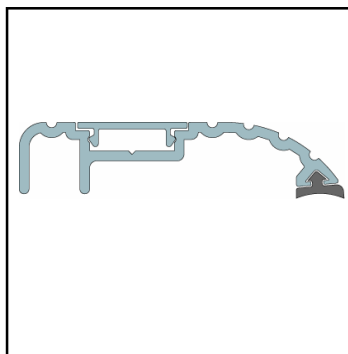




# IS4100

## Fitting Instruction

Threshold Plate



Length

### DESCRIPTION OF CONTENTS

- Aluminium threshold
- Aluminium snap cover
- Screws and plugs
- Fitting instruction

### TOOLS REQUIRED FOR INSTALLATION

- Tape measure
- Pencil or marker
- Saw (power or hand)
- Power drill
- 3mm drill bit

### INSTALLATION DETAIL

It is not necessary to remove the door from its hinges.

#### STEP 1

Remove the plate from the packaging and measure the door width, between jambs or door stops to determine the plate length required.

#### STEP 2

Measure the threshold and mark with a pencil the desired length.

#### STEP 3

Cut through the threshold plate and cover using a saw. (Where threshold plate meets the door stop, sealant may be applied to prevent water leakage).

#### STEP 4

Position the plate on the door sill in required location.

#### STEP 5

Using a power drill with a 3mm drill bit, create fixing holes in required position.

#### STEP 6

Screw fix using screws & plugs supplied. Then fit the snap on cover to hide screw heads

#### STEP 7

Check to ensure the door can open and close properly.

### NOTE

For effective operation, the IS4100 threshold plate requires a minimum of 8mm clearance between the door and the floor.

**IMPORTANT – Ensure that the installation of this product does not impede the opening or closing of the door.**

### OTHER INTEGRITY™ ARCHITECTURAL SEALS INCLUDE:

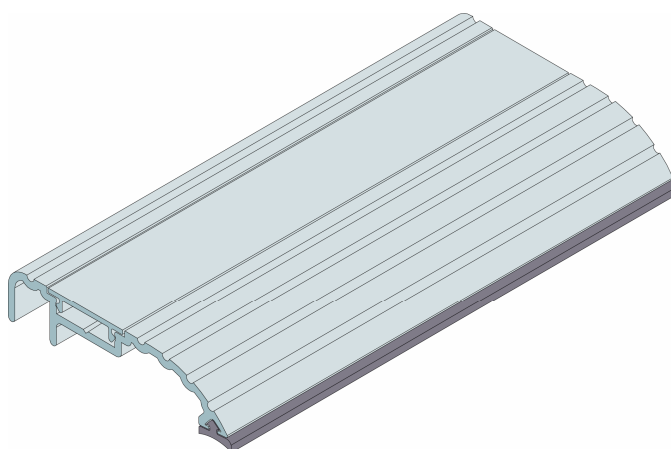
- Door Perimeter Seals
- Door Bottom Seals
- Automatic Door Bottom Seals
- Threshold Plates
- Brush Seals
- Magnetic Seals

Contact your nearest Lorient office for further details.

### NOTE

*Recommendations as to methods for use of materials and construction details are based on the experience and knowledge of Lorient and are given in good faith as a general guide and service to designers, contractors and manufacturers.*

*Lorient reserves the right to make alterations or delete any installation detail without prior notice.*



**Architectural Seals**

<p><b>AUSTRALIA</b> Lorient Australia Pty Ltd</p> <p>NSW: (61-2) 9907 3844 VIC: (61-3) 9785 2688</p> <p><b>ASIA PACIFIC—Hong Kong</b> Lorient Pacific Limited</p> <p>Tel: (852) 2505 0328</p> <p><b>EUROPE—UK</b> Lorient Polyproducts Limited</p> <p>Tel: (44-1626) 8342521</p>
--