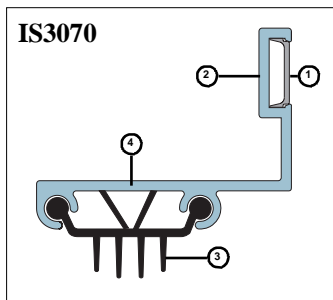




IS3100

Fitting Instruction

IS3070/IS4100 Door pack



Length	
--------	--

INSTALLATION DETAIL

It is not necessary to remove the door from the hinges and no painting is required after installation. This seal may be fixed to either side of the door bottom.

STEP 1

Remove the seal from the packaging. With the door closed, measure the width of the door bottom from the side of the door to which the seal is to be screw fixed. (This will allow the door to continue to open and close freely when the seal is fixed.)

STEP 2

Remove the decorative cover strip and pull back flexible gasket along the aluminium carrier.

STEP 3

Cut the aluminium carrier to length required.

STEP 4

Cut the decorative cover strip to length required.

STEP 5

Refit the flexible gasket to the full length of the aluminium carrier and cut to suit.

STEP 6

Apply the seal to the door bottom, allowing a gap of 13mm between the door bottom and the door sill and mark out the slotted hole locations with a pencil ensuring the flexible gasket blades lightly touch the floor.

STEP 7

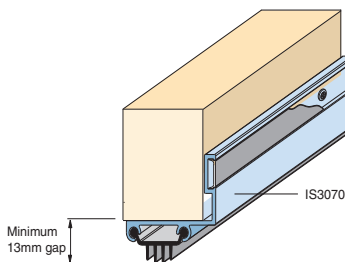
Drill pilot holes with a 2.5mm drill bit.

STEP 8

Fix the IS3070 seal to the bottom of the door leaf through the slotted holes with the screws provided. (For uneven gaps, slight adjustment can be made via the slotted holes prior to tightening the fixing screws.)

STEP 9

Refit the decorative cover strip.



IMPORTANT – Ensure that the installation of this product does not impede the opening or closing of the door. It is recommended to check the adjustment of the door seal periodically to ensure the door assembly to which it is fitted, closes and latches properly.

We recommend IS3070 door bottom seal be used together with a Lorient Integrity™ IS4100 threshold plate.

The seal may be removed for periodic cleaning or replacement of a worn gasket, without removing the door leaf from its frame.

OTHER INTEGRITY™ ARCHITECTURAL SEALS INCLUDE:

- Door Perimeter Seals
- Door Bottom Seals
- Automatic Door Bottom Seals
- Threshold Plates
- Brush Seals
- Magnetic Seals

Contact your nearest Lorient office for further details.

NOTE

Recommendations as to methods for use of materials and construction details are based on the experience and knowledge of Lorient and are given in good faith as a general guide and service to designers, contractors and manufacturers.

Lorient reserves the right to make alterations or delete any installation detail without prior notice.

DESCRIPTION OF CONTENTS

- Decorative cover strip (1)
- Pre-slotted holes (2)
- Flexible gasket (3)
- Aluminium carrier (4)
- Bag of screws
- Fitting instructions

TOOLS REQUIRED FOR INSTALLATION

- Tape measure
- Saw (power or hand)
- Screw driver
- Drill (power or hand)
- Knife
- Pencil or marker

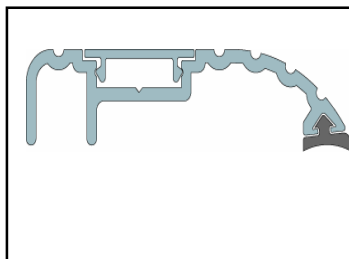


AUSTRALIA Lorient Australia Pty Ltd	
QLD:	(+61-7) 3635 5000
NSW:	(+61-2) 9907 3844
VIC:	(+61-3) 9785 2688
ASIA PACIFIC—Hong Kong Lorient Pacific Limited	
Tel:	(+852) 2505 0328
EUROPE—UK Lorient Polyproducts Limited	
Tel:	(+44) 1626 834 252
www.lorient.com.au	



IS4100 Fitting Instruction

Threshold Plate



INSTALLATION DETAIL

It is not necessary to remove the door from its hinges.

STEP 1

Remove the plate from the packaging and measure the door width, between jambs or door stops to determine the plate length required.

STEP 2

Measure the threshold and mark with a pencil the desired length.

STEP 3

Cut through the threshold plate and cover using a saw. (Where threshold plate meets the door stop, sealant may be applied to prevent water leakage).

STEP 4

Position the plate on the door sill in required location.

STEP 5

Using a power drill with a 3mm drill bit, create fixing holes in required position.

STEP 6

Screw fix using screws & plugs supplied. Then fit the snap on cover to hide screw heads

STEP 7

Check to ensure the door can open and close properly.

NOTE

For effective operation, the IS4100 threshold plate requires a minimum of 8mm clearance between the door and the floor.

IMPORTANT – Ensure that the installation of this product does not impede the opening or closing of the door.

OTHER INTEGRITY™ ARCHITECTURAL SEALS INCLUDE:

- Door Perimeter Seals
- Door Bottom Seals
- Automatic Door Bottom Seals
- Threshold Plates
- Brush Seals
- Magnetic Seals

Contact your nearest Lorient office for further details.

NOTE

Recommendations as to methods for use of materials and construction details are based on the experience and knowledge of Lorient and are given in good faith as a general guide and service to designers, contractors and manufacturers.

Lorient reserves the right to make alterations or delete any installation detail without prior notice.

DESCRIPTION OF CONTENTS

- Aluminium threshold
- Aluminium snap cover
- Screws and plugs
- Fitting instruction

TOOLS REQUIRED FOR INSTALLATION

- Tape measure
- Pencil or marker
- Saw (power or hand)
- Power drill
- 3mm drill bit

