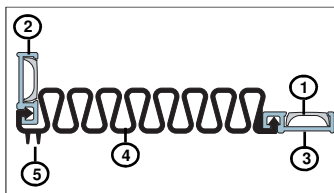




# IS9070

## Fitting Instruction

Finger Guard Seal



Length	
--------	--

### DESCRIPTION OF CONTENTS

- Decorative cover strip ( 1 )
- Aluminium carrier (2)
- Pre-slotted holes (3)
- Flexible gasket (4)
- Integrated Door Stop Sealing Fins (5)
- Bag of screws
- Fitting instructions

### TOOLS REQUIRED FOR INSTALLATION

- Tape Measure
- Saw (Power or Hand)
- Screw Driver
- Drill (Power or Hand)
- Knife
- Pencil or marker

### Installation Detail

It is not necessary to remove the door from its hinges unless otherwise specified.

#### STEP 1

Remove the seal from the packaging and measure the existing jambs (sides) of the door frame to determine the seal length required.

#### STEP 2

Remove the decorative cover strip from the aluminium carriers.

#### STEP 3

Pull back flexible gasket and cut the aluminium carriers to the lengths required.

#### STEP 4

Cut the gasket and decorative cover strips to the lengths required.

#### STEP 5

Slide flexible gasket back into position and cut to required length.

#### STEP 6

Position the aluminium carriers to the door stop side of the door. The door stop sealing fins (as indicated by No. 5 on the drawing above-left) must be mounted on the door stop and **not** the door for correct installation. Mark out the slotted hole locations with a pencil.

#### STEP 7

Lightly screw-fix each length to the door stops through the slotted holes with the screws supplied. (Fixing holes are pre-slotted to enable the seal to be accurately adjusted as required).

#### STEP 8

Ensure that the Finger Guard profile extends right to the bottom of the door leaf but does not drag on the floor. Check for correct operation as the door is opened and closed.

#### STEP 9

Tighten the screws and replace the decorative cover strip.

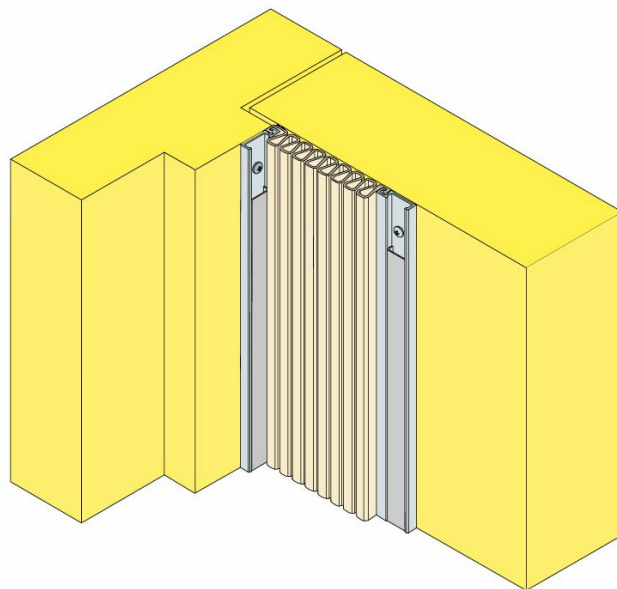
We recommend the IS9070 be fitted with a Lorient Integrity™ IS9050 Finger Guard Seal on the hinge side of the door.

#### NOTE

If you require a door bottom seal, only use a product that can be fully mortised. For example, IS8010si or IS8100si.

**IMPORTANT – Ensure that the installation of this product does not impede the opening or closing of the door. It is recommended to check the adjustment of the door seal periodically to ensure the door assembly to which it is fitted, closes and latches properly.**

*The seal may be removed for periodic cleaning or replacement of a worn gasket, without removing the door leaf from its frame.*



### OTHER INTEGRITY™ ARCHITECTURAL SEALS INCLUDE:

- Door Perimeter Seals
- Door Bottom Seals
- Automatic Door Bottom Seals
- Threshold Plates
- Brush Seals
- Magnetic Seals

Contact your nearest Lorient office for further details.

#### NOTE

*Recommendations as to methods for use of materials and construction details are based on the experience and knowledge of Lorient and are given in good faith as a general guide and service to designers, contractors and manufacturers.*

*Lorient reserves the right to make alterations or delete any installation detail without prior notice.*



**AUSTRALIA**  
Lorient Australia Pty Ltd

NSW: (61-2) 9907 3844  
VIC: (61-3) 9785 2688

**ASIA PACIFIC—Hong Kong**  
Lorient Pacific Limited

Tel: (852) 2505 0328

**EUROPE—UK**  
Lorient Polyproducts Limited

Tel: (44-1626) 834252