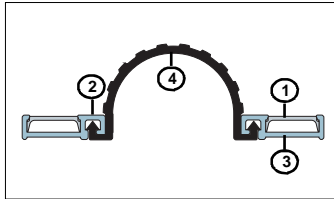




IS9050

Fitting Instruction

Finger Guard Seal
(For hinge side of door)



Length	
--------	--

DESCRIPTION OF CONTENTS

- Decorative cover strip (1)
- Aluminium carrier (2)
- Pre-slotted holes (3)
- Flexible gasket (4)
- Bag of screws
- Fitting instructions

TOOLS REQUIRED FOR INSTALLATION

- Tape Measure
- Saw (Power or Hand)
- Screw Driver
- Drill (Power or Hand)
- Knife
- Pencil or marker

INSTALLATION DETAIL

It is not necessary to remove the door from its hinges unless otherwise specified.

STEP 1

Remove the seal from the packaging and measure the existing jambs (sides) of the door frame to determine the seal length required.

STEP 2

Remove the decorative cover strip from the aluminium carriers.

STEP 3

Pull back flexible gasket and cut the aluminium carriers to the lengths required.

STEP 4

Cut the decorative cover strip to the lengths required.

STEP 5

Slide flexible gasket back into position and cut to required length.

STEP 6

Position the aluminium carriers to either side of the door hinge and mark out the slotted hole locations with a pencil.

STEP 7

Lightly screw-fix each length to the door through the slotted holes with the screws supplied. (Fixing holes are pre-slotted to enable the seal to be accurately adjusted as required).

STEP 8

Ensure that the Finger Guard profile covers the gap between the door leaf and frame right to the bottom of the assembly, but does not drag on the floor.

STEP 9

Tighten the screws and replace the decorative cover strip.

We recommend the IS9050 be fitted with a Lorient Integrity™ IS9070 Finger Guard Seal.

IMPORTANT – Ensure that the installation of this product does not impede the opening or closing of the door. It is recommended to check the adjustment of the door seal periodically to ensure the door assembly to which it is fitted, closes and latches properly.

The seal may be removed for periodic cleaning or replacement of a worn gasket, without removing the door leaf from its frame.

OTHER INTEGRITY™ ARCHITECTURAL SEALS INCLUDE:

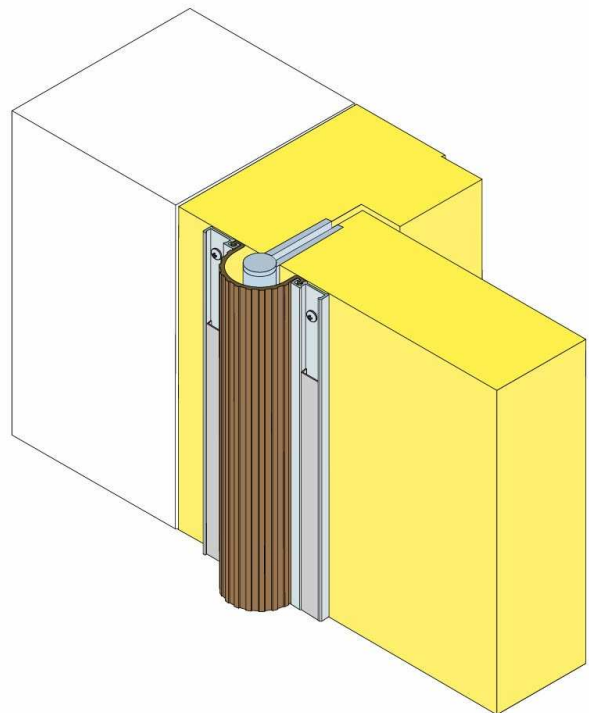
- Door Perimeter Seals
- Door Bottom Seals
- Automatic Door Bottom Seals
- Threshold Plates
- Brush Seals
- Magnetic Seals

Contact your nearest Lorient office for further details.

NOTE

Recommendations as to methods for use of materials and construction details are based on the experience and knowledge of Lorient and are given in good faith as a general guide and service to designers, contractors and manufacturers.

Lorient reserves the right to make alterations or delete any installation detail without prior notice.



AUSTRALIA
Lorient Australia Pty Ltd

QLD: (61-7) 3635 5000
NSW: (61-2) 9907 3844
VIC: (61-3) 9785 2688

ASIA PACIFIC—Hong Kong
Lorient Pacific Limited

Tel: (852) 2505 0328

EUROPE—UK
Lorient Polyproducts Limited

Tel: (44-1626) 834252

