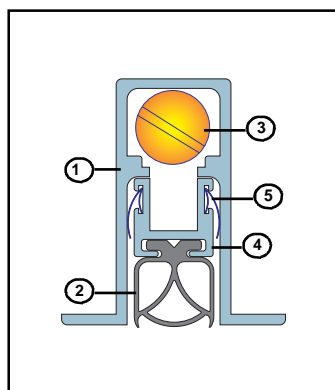




# IS8100si

## Fitting Instruction

Automatic Door Bottom Seal



Length 35 mm

### DESCRIPTION OF CONTENTS

- Aluminium carrier (1)
- Silicone gasket (2)
- Adjusting screw (3)
- Internal carrier (4)
- Smoke fins (5)
- Bag containing
  1. 2 x end caps
  2. Bag of screws
  3. 1 x drawing pin
- Fitting Instructions

### TOOLS REQUIRED FOR INSTALLATION

- Tape measure
- Saw (power or hand)
- Screw driver
- 2.5mm drill bit
- Drill (power or hand)
- Knife
- Pencil or marker
- Router
- 15mm diameter long series cutter

### INSTALLATION DETAIL

#### STEP 1

Remove the seal from the packaging .

(If the door bottom is already rebated to suit the seal dimensions, go to Step 6.)

#### STEP 2

Remove the door from its hinges, lay on side and firmly restrain.

#### STEP 3

With a tape and pencil, measure and mark the seal position on the bottom edge of the door. For optimum operation, the seal should be positioned on the centre line of the door.

#### STEP 4

Fit a 15mm long series cutter to the router and set guide. Machine a 21mm wide by 44mm deep slot along the bottom of the door.

#### STEP 5

Clear chips and dust from rebate, check depth.

#### STEP 6

Measure the door width. Cut seal 6mm less than width of door, allowing for the adjusting screw operation and end caps. When cutting seal to length, shorten inner carrier section by a further 3mm at the end opposite the adjusting screw to allow free vertical movement of the seal.

#### STEP 7

Position seal with the adjusting screw (operating button) on the hinged side of the door.

#### STEP 8

Fix seal to the door with screws provided.

#### STEP 9

When the door leaf is re-fitted open and close the door observing the operation of the seal. Adjust accordingly by winding the operating button in or out.

(For timber frames, fix the drawing pin to the frame opposite the operating button.)

#### STEP 10

For optimum results the seal should be adjusted so that the seal element touches the sill in the final closing moment of the door.

**We recommend IS8100si Automatic Door Bottom Seal be used together with a Lorient Integrity® 7000 Series perimeter seal and 4000 Series threshold plate.**

**IMPORTANT – Ensure that the installation of this product does not impede the opening or closing of the door. It is recommended to check the adjustment of the door seal periodically to ensure the door assembly to which it is fitted, closes and latches properly.**

**The seal may be removed for periodic cleaning or replacement of a worn gasket, without removing the door leaf from its frame.**

### OTHER INTEGRITY™ ARCHITECTURAL SEALS INCLUDE:

- Door Perimeter Seals
- Door Bottom Seals
- Automatic Door Bottom Seals
- Threshold Plates
- Brush Seals
- Magnetic Seals

Contact your nearest Lorient office for further details.

### NOTE

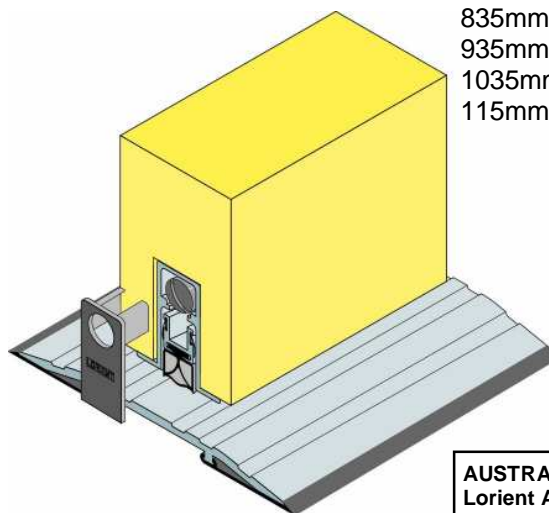
*Recommendations as to methods for use of materials and construction details are based on the experience and knowledge of Lorient and are given in good faith as a general guide and service to designers, contractors and manufacturers.*

*Lorient reserves the right to make alterations or delete any installation detail without prior notice.*

### CUT BACK SIZES

Do not cut the seal shorter than the lengths indicated below or this will affect the normal operation of the internal mechanism.

335mm	cuts to	255mm
435mm	cuts to	255mm
535mm	cuts to	436mm
635mm	cuts to	536mm
735mm	cuts to	636mm
835mm	cuts to	736mm
935mm	cuts to	836mm
1035mm	cuts to	936mm
115mm	cuts to	1036mm



**AUSTRALIA**  
Lorient Australia Pty Ltd

QLD: (+61-7) 3635 5000  
NSW: (+61-2) 9907 3844  
VIC: (+61-3) 9785 2688

**ASIA PACIFIC—Hong Kong**  
Lorient Pacific Limited

Tel: (+852) 2505 0328

**EUROPE—UK**  
Lorient Polyproducts Limited

Tel: (+44-1626) 834 252

