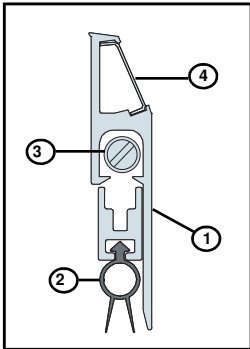




IS8080si Fitting Instruction

Automatic Door Bottom Seal



Length	915mm
---------------	-------

DESCRIPTION OF CONTENTS

- Aluminium Carrier (1)
- Flexible Gasket (2)
- Actuator button (3)
- Coverstrip (4)
- Bag containing
 1. Fixing screws
 2. drawing pin
 3. Actuator button screw
- Fitting Instructions

TOOLS REQUIRED FOR INSTALLATION

- Tape Measure
- Saw (Power or Hand)
- Screw Driver
- 2.5mm Drill Bit
- Drill (Power or Hand)
- Knife
- Pencil or marker

INSTALLATION DETAIL

STEP 1

Remove the seal from the packaging and measure the distance between the door stops.

STEP 2

Using a saw (power or hand), cut the aluminium section to the measured width, less 2mm .

WARNING: read note regarding cut-back lengths.

STEP 3

Close the door and centrally position the seal at the bottom face of the door, allowing a 5mm horizontal gap between the tips of the gasket and the sill. Screw fix using screws provided.

STEP 4

Refit flexible coverstrip to hide the screw fixings.

STEP 5

Open the door and screw the adjustment screw into the hinged side of the seal (plastic channel located at either end of the profile).

STEP 6

Slowly close the door and observe the seal movement. If the seal requires adjustment to make even contact with the sill, turn the adjusting screw anti-clockwise to increase seal movement and clockwise to reduce seal movement (one turn at a time), until the desired seal is achieved.

STEP 7

To prevent unsightly wear on timber frames, push the striker button pin into the jamb where the adjusting screw meets the door frame.

We recommend IS8080si Automatic Door Bottom Seal be used together with a Lorient Integrity® 7000 Series perimeter seal and 4000 Series threshold plate.

IMPORTANT – Ensure that the installation of this product does not impede the opening or closing of the door. It is recommended to check the adjustment of the door seal periodically to ensure the door assembly to which it is fitted, closes and latches properly.

The seal may be removed for periodic cleaning or replacement of a worn gasket, without removing the door leaf from its frame.

OTHER INTEGRITY™ ARCHITECTURAL SEALS INCLUDE:

- Door Perimeter Seals
- Door Bottom Seals
- Automatic Door Bottom Seals
- Threshold Plates
- Brush Seals
- Magnetic Seals

Contact your nearest Lorient office for further details.

NOTE

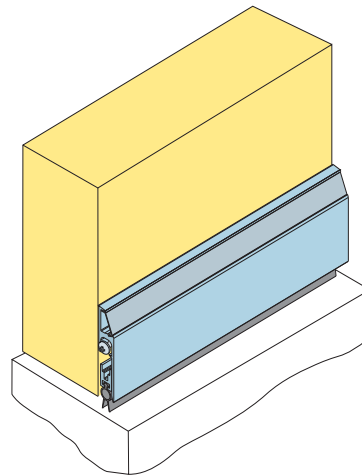
Recommendations as to methods for use of materials and construction details are based on the experience and knowledge of Lorient and are given in good faith as a general guide and service to designers, contractors and manufacturers.

Lorient reserves the right to make alterations or delete any installation detail without prior notice.

CUT BACK SIZES

Do not cut the seal shorter than the lengths indicated below provided equal amounts are removed from each end or this will affect the normal operation of the internal mechanism.

915mm cuts to 450mm



Architectural Seals

AUSTRALIA Lorient Australia Pty Ltd	
NSW:	(61-2) 9907 3844
VIC:	(61-3) 9785 2688
ASIA PACIFIC—Hong Kong Lorient Pacific Limited	
Tel:	(852) 2505 0328
EUROPE—UK Lorient Polyproducts Limited	
Tel:	(44-1626) 834 252