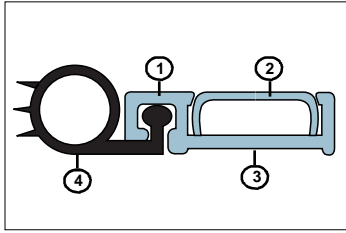




IS7025 Fitting Instruction

Perimeter Seal



Length	
--------	--

INSTALLATION DETAIL

It is not necessary to remove the door from its hinges unless otherwise specified.

STEP 1

Remove the seal from the packaging and measure the existing head (top) and jambs (sides) of the door frame to determine the seal lengths required.

STEP 2

Remove the decorative cover strip from the aluminium carriers.

STEP 3

Pull back flexible gasket and cut the aluminium carriers to the lengths required.

STEP 4

Cut the decorative cover strip to the lengths required.

STEP 5

Slide flexible gasket back into position and cut to required length.

STEP 6

Position the seals to the door stops along the top and sides of the door frame and mark out the slotted hole locations with a pencil. (Ensure the top corners are neatly butt-jointed).

STEP 7

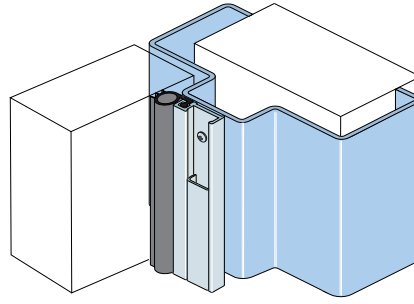
Lightly screw-fix each length to the door stops through the slotted holes with the screws supplied. (Fixing holes are pre-slotted to enable the seal to be accurately adjusted as required).

STEP 8

Close the door and check for a uniform seal around the door by inserting this sheet of paper between the seal and the door face. Resistance should be firm at all points.

STEP 9

Tighten the screws and replace the decorative cover strip.



NOTES

If used in conjunction with a face fixed threshold seal, the perimeter seal must be fitted to the door frame first.

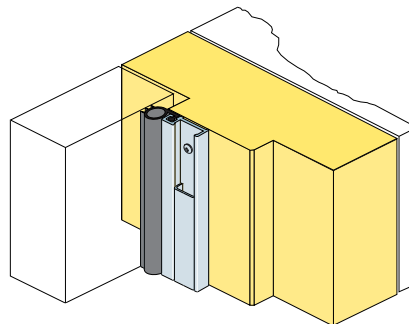
Should circumstances require that the cover strip be removed, drill a small hole at the bottom of the cover strip and pull out with a wire hook or suitable tool.

IMPORTANT

Ensure that the installation of this product does not impede the opening or closing of the door. It is recommended to check the adjustment of the door seal periodically to ensure the door assembly to which it is fitted, closes and latches properly.

We recommend the IS7025 or IS7025si perimeter seal be fitted with the Lorient Integrity™ IS8010si or IS8090si automatic door bottom seal.

The seal may be removed for periodic cleaning or replacement of a worn gasket, without removing the door from its frame.



OTHER INTEGRITY™ ARCHITECTURAL SEALS INCLUDE:

- Door Perimeter Seals
- Door Bottom Seals
- Automatic Door Bottom Seals
- Threshold Plates
- Brush Seals
- Magnetic Seals

Contact your nearest Lorient office for further details.

NOTE

Recommendations as to methods for use of materials and construction details are based on the experience and knowledge of Lorient and are given in good faith as a general guide and service to designers, contractors and manufacturers.

Lorient reserves the right to make alterations or delete any installation detail without prior notice.

DESCRIPTION OF CONTENTS

- Aluminium carrier (1)
- Decorative cover strip (2)
- Pre-slotted holes (3)
- Flexible gasket (4)
- Fitting instructions

TOOLS REQUIRED FOR INSTALLATION

- Tape measure
- Saw (power or hand)
- Screw driver
- 2.5mm drill bit
- Drill (power or hand)
- Knife
- Pencil or marker



Architectural Seals

AUSTRALIA
Lorient Australia Pty Ltd

QLD: (61-7) 3635 5000
NSW: (61-2) 9907 3844
VIC: (61-3) 9785 2688

ASIA PACIFIC—Hong Kong
Lorient Pacific Limited

Tel: (852) 2505 0328

EUROPE—UK
Lorient Polyproducts Limited