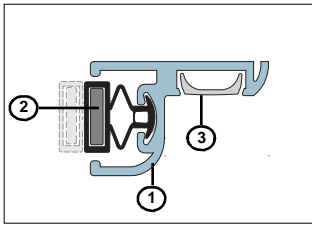




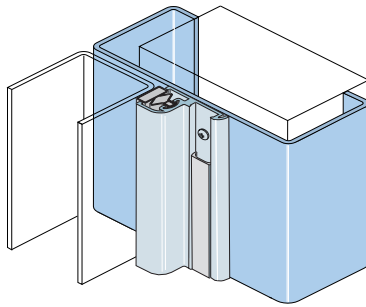
IS6015 Fitting Instruction

Magnetic Seal



Length

INSTALLATION DETAIL



STEP 1

Remove the seal from the packaging, and measure the height and width of the perimeter.

STEP 2

Cut the aluminium carrier to the lengths required—take care to neatly cut the profile with power saw.

STEP 3

Machine cut mitred joints are recommended wherever possible. Before mitre cutting corner joints, ensure that seals will fix to jambs or door as specified.

STEP 4

Lightly screw fix lengths to jambs/door using screws supplied, (fixing holes are pre-slotted to allow seals to be accurately fitted and adjusted as required).

STEP 5

Re-hang the door onto its hinges and make sure the magnet is clean for a good seal.

STEP 6

Close the door and ensure the seal makes uniform contact.

We recommend the IS6015 seal be fitted with the Lorient Integrity™ IS8010si automatic door bottom seal and a 4000 series threshold plate.

IMPORTANT – Ensure that the installation of this product does not impede the opening or closing of the door. It is recommended to check the adjustment of the door seal periodically to ensure the door assembly to which it is fitted, closes and latches properly.

Periodic inspection and cleaning is recommended to fully maintain this sealing system. Normally an annual inspection is sufficient. For fire and smoke sealing applications, refer to local regulatory authority standards.

OTHER INTEGRITY™ ARCHITECTURAL SEALS INCLUDE:

- Door Perimeter Seals
- Door Bottom Seals
- Automatic Door Bottom Seals
- Threshold Plates
- Brush Seals
- Magnetic Seals

Contact your nearest Lorient office for further details.

NOTE

Recommendations as to methods for use of materials and construction details are based on the experience and knowledge of Lorient and are given in good faith as a general guide and service to designers, contractors and manufacturers.

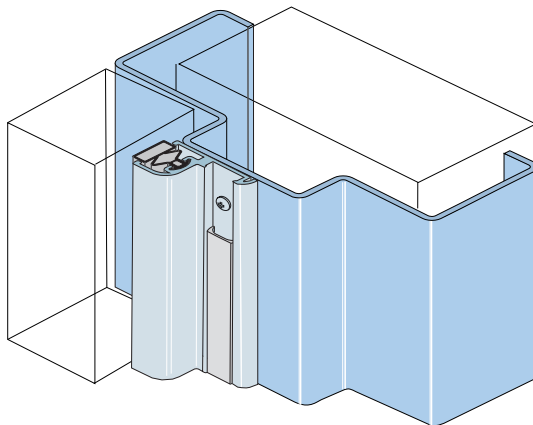
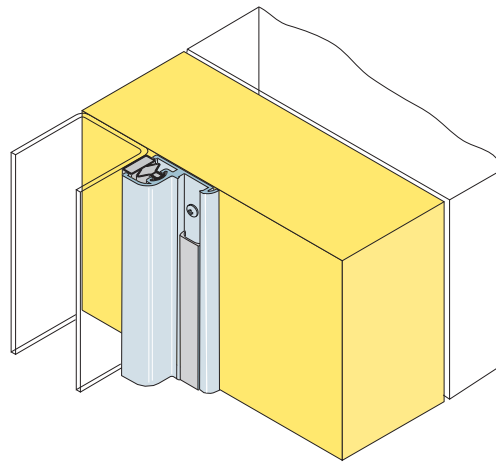
Lorient reserves the right to make alterations or delete any installation detail without prior notice.

DESCRIPTION OF CONTENTS

- Aluminium carrier (1)
- PVC encapsulated magnet (2)
- Cover strip (3)
- Bag of screws
- Fitting instructions

TOOLS REQUIRED FOR INSTALLATION

- Tape measure
- Saw (power or hand)
- Screw driver
- 2.5mm drill bit
- Drill (power or hand)
- Pencil or marker



Architectural Seals

AUSTRALIA Lorient Australia Pty Ltd	
QLD:	(61-7) 3635 5000
NSW:	(61-2) 9907 3844
VIC:	(61-3) 9785 2688
ASIA PACIFIC—Hong Kong Lorient Pacific Limited	
Tel:	(852) 2505 0328
EUROPE—UK Lorient Polyproducts Limited	
Tel:	(44-1626) 834252