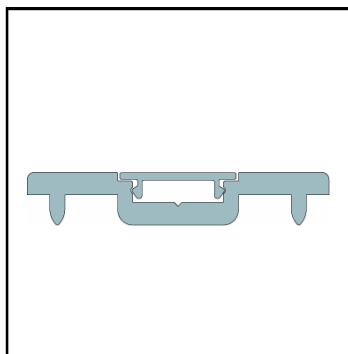




IS4140

Fitting Instruction

Threshold Plate



Length

DESCRIPTION OF CONTENTS

- Aluminium threshold
- Aluminium snap cover
- Screws and plugs
- Fitting instruction

TOOLS REQUIRED FOR INSTALLATION

- Tape measure
- Pencil or marker
- Saw (power or hand)
- Power drill
- 3mm drill bit

INSTALLATION DETAIL

It is not necessary to remove the door from its hinges.

STEP 1

Remove the plate from the packaging and measure the door width, between jambs or door stops to determine the plate length required.

STEP 2

Measure the threshold and mark with a pencil the desired length.

STEP 3

Cut through the threshold plate and cover using a saw. (Where threshold plate meets the door stop, sealant may be applied to prevent water leakage).

STEP 4

Position the plate on the door sill in required location.

STEP 5

Using a power drill with a 3mm drill bit, create fixing holes in required position.

STEP 6

Screw fix using screws & plugs supplied. Then fit the snap on cover to hide screw heads

STEP 7

Check to ensure the door can open and close properly.

NOTE

For effective operation, the IS4140 threshold plate requires a minimum of 8mm clearance between the door and the floor.

IMPORTANT – Ensure that the installation of this product does not impede the opening or closing of the door.

OTHER INTEGRITY™ ARCHITECTURAL SEALS INCLUDE:

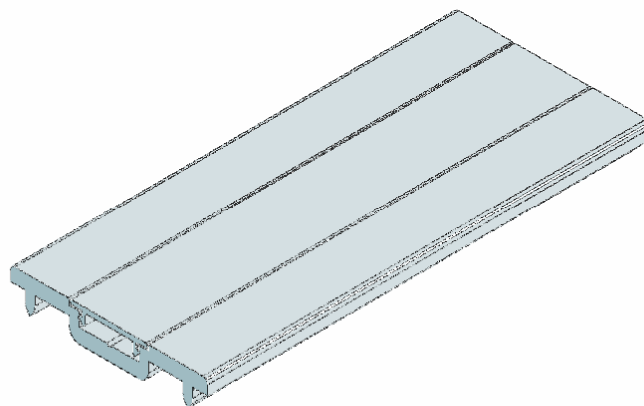
- Door Perimeter Seals
- Door Bottom Seals
- Automatic Door Bottom Seals
- Threshold Plates
- Brush Seals
- Magnetic Seals

Contact your nearest Lorient office for further details.

NOTE

Recommendations as to methods for use of materials and construction details are based on the experience and knowledge of Lorient and are given in good faith as a general guide and service to designers, contractors and manufacturers.

Lorient reserves the right to make alterations or delete any installation detail without prior notice.



Architectural Seals

AUSTRALIA
Lorient Australia Pty Ltd

QLD: (61-7) 3635 5000
NSW: (61-2) 9907 3844
VIC: (61-3) 9785 2688

ASIA PACIFIC—Hong Kong
Lorient Pacific Limited

Tel: (852) 2505 0328

EUROPE—UK
Lorient Polyproducts Limited