

IS5010, IS5015, IS5020, IS5025 and IS5030 Sweep Action Brushes

Medium Duty



■ **Location**

Head, jambs, threshold and meeting stiles of single and double swing doors, and sliding doors.
Head, jambs and threshold of revolving doors, up and over doors, and roller shutter doors.

■ **Use with**

Any threshold plate (4000 series).

■ **Min/max gap size**

- IS5010: 10mm/13mm.
- IS5015: 13mm/19mm.
- IS5020: 19mm/25mm.
- IS5025: 25mm/35mm.
- IS5030: 35mm/45mm.

■ **Seal material**

Nylon brush filaments, UV stabilised.

■ **Standard lengths**

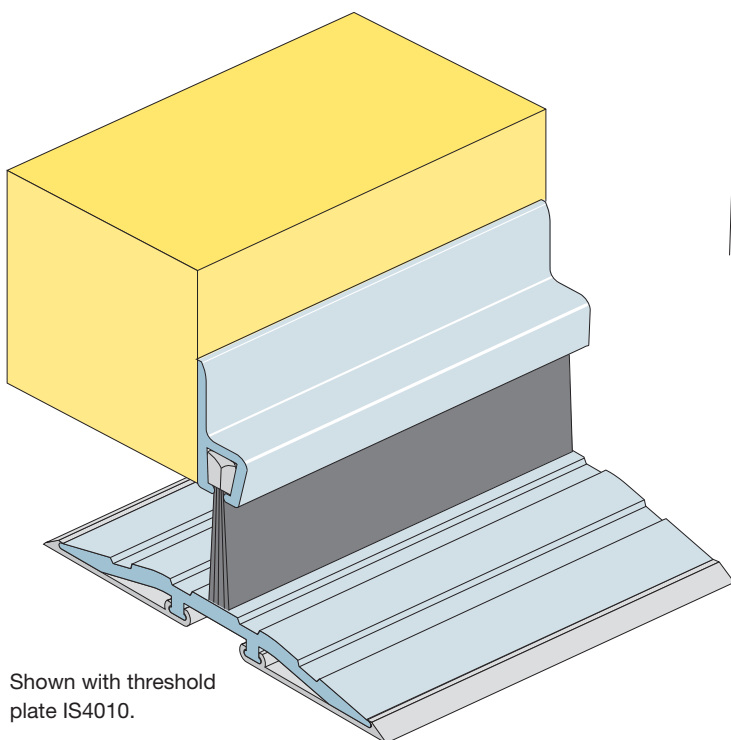
1m, 2.1m and 3m. Other lengths to special order.

■ **Fixing**

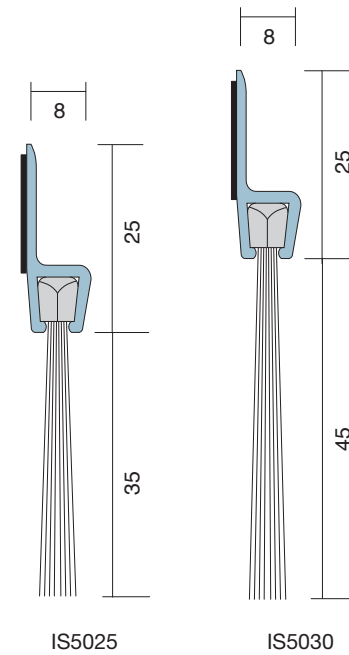
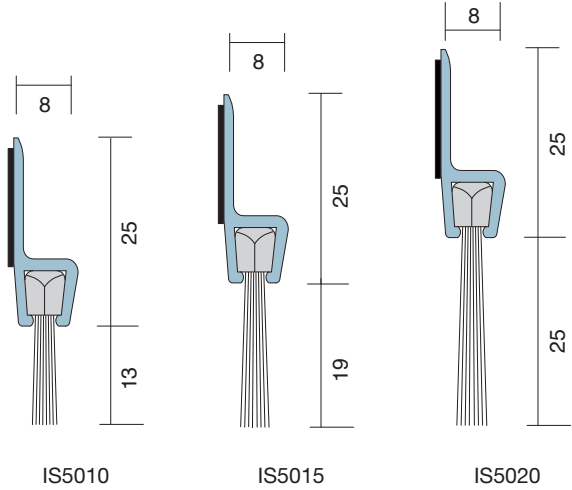
Heavy duty self-adhesive tape.

■ **Finishes**

Silver or bronze anodised aluminium with black brush filaments.



Shown with threshold plate IS4010.



*Note:
For information on brush only products, please refer to the Gasket, Brush and Seal Components section.*