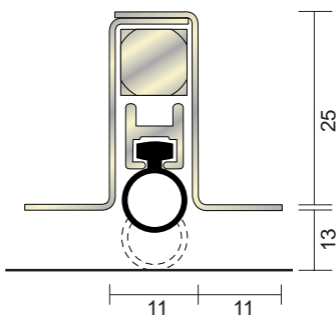




## Architectural Seals

### IS8060S Automatic Threshold Seal



#### Installation Instructions

1. Remove door and machine mortise bottom of door, 25mm deep x 11mm wide.
2. Measure door width.
3. Machine cut IS8060S to door width.
4. Fit seal into groove with the adjustable block on the hinged side of the door and secure mounting plate with screw provided, ensuring tongue, located on inside of mounting plate, is firmly supporting seal housing.
5. Fit second mounting plate on latch side of door.
6. Re-hang door, positioning striker button on door jamb where adjustable screw meets door jamb. Close door and observe seal movement.
7. If seal movement requires adjustment to make full contact with the floor, pull out adjustable block clear of aluminium housing. Then, firmly holding threaded rod, turn adjustable block clockwise to reduce seal movement or anti-clockwise to increase seal movement.



**LORIENT**

Tel: +44 (0) 1626 834252

Fax: +44 (0) 1626 833166